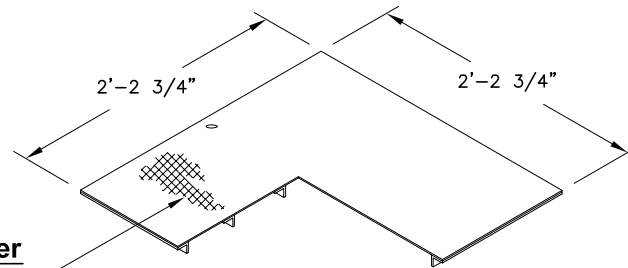


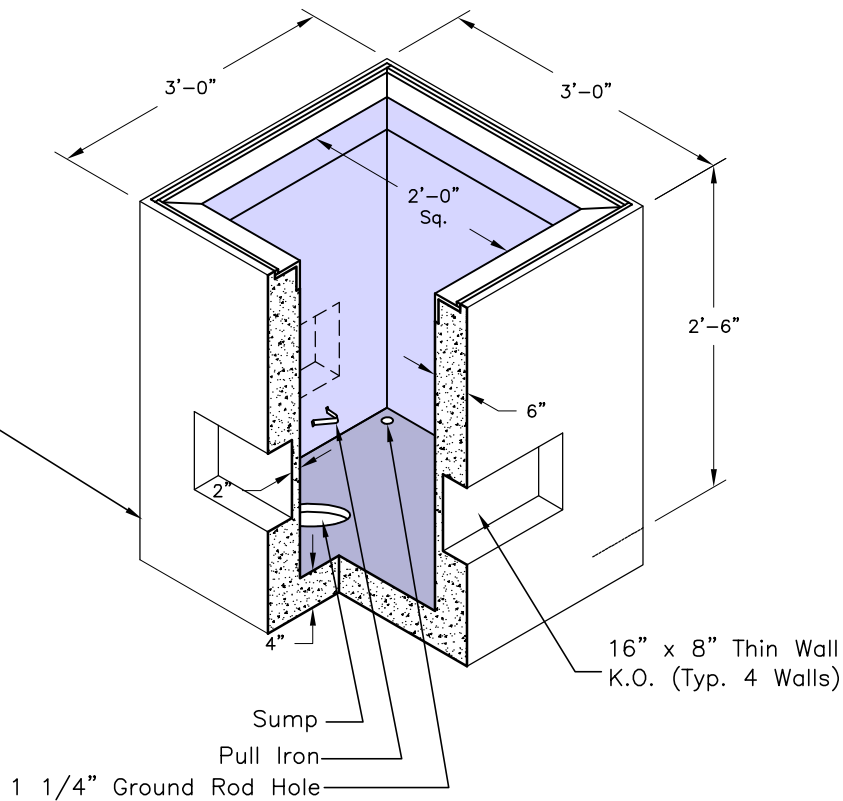
**Galv. Steel Traffic Cover**  
**Bolt-Down**

Weight - 140 Lbs.



**Body**

Weight - 1300 Lbs.



**SPECIFICATIONS:**

1. Concrete: Design Strength of 5500 PSI at 28 Days.
2. Steel Reinforcement: ASTM A-615 Grade 60.
3. Loading: Designed for HS-20 Loading.

**GENERAL NOTES:**

1. Thin Wall Knock Outs Available in Different Sizes Upon Request.
2. All Weights Calculated with Solid Walls.