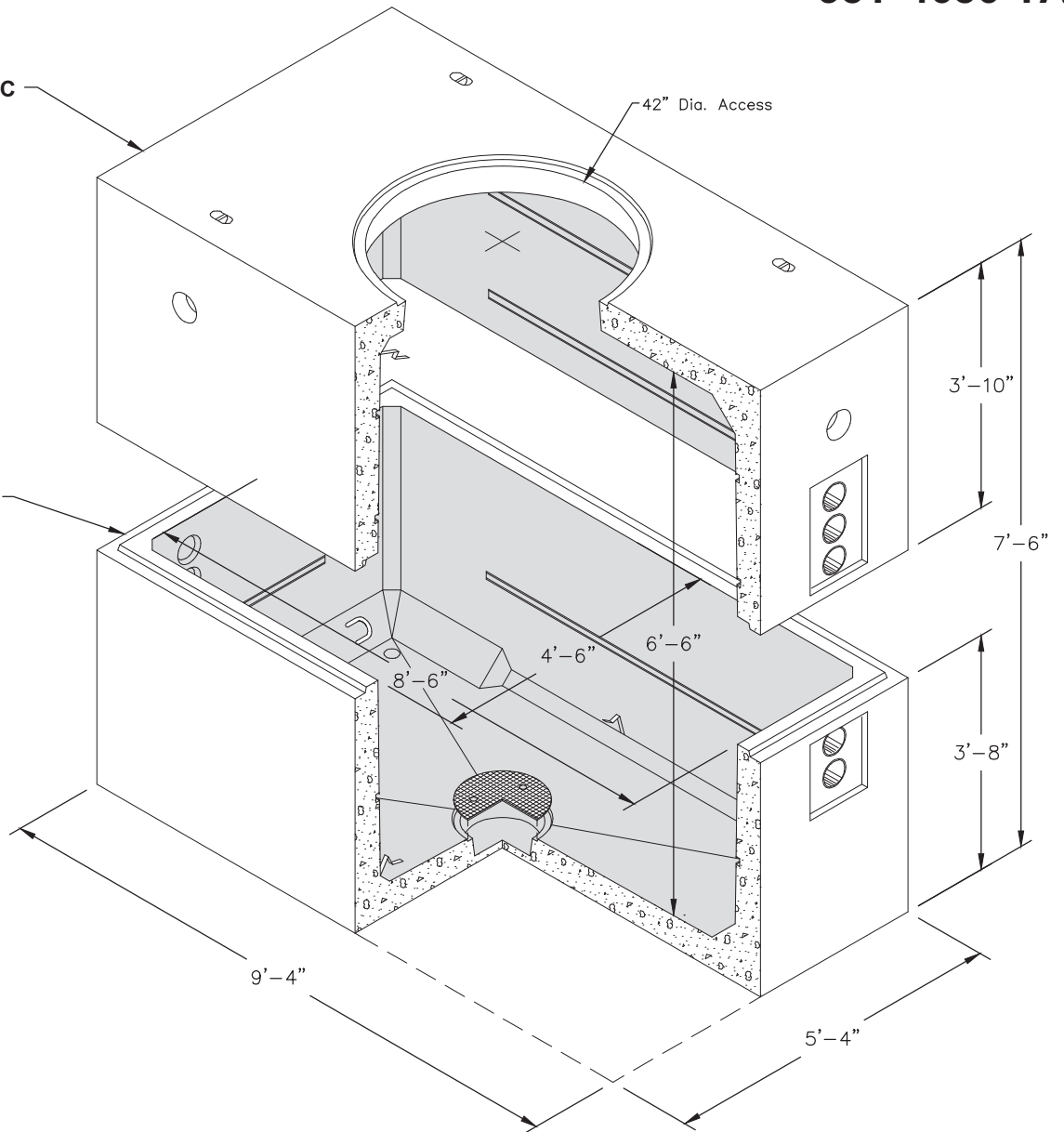


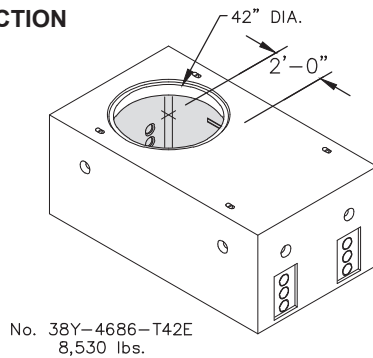
38Y-4686-TA

TOP SECTION
No. 38Y-4686-T42C
8,530 lbs.

BASE
No. 38Y-4686-BT
9,437 lbs.



OPTIONAL TOP SECTION

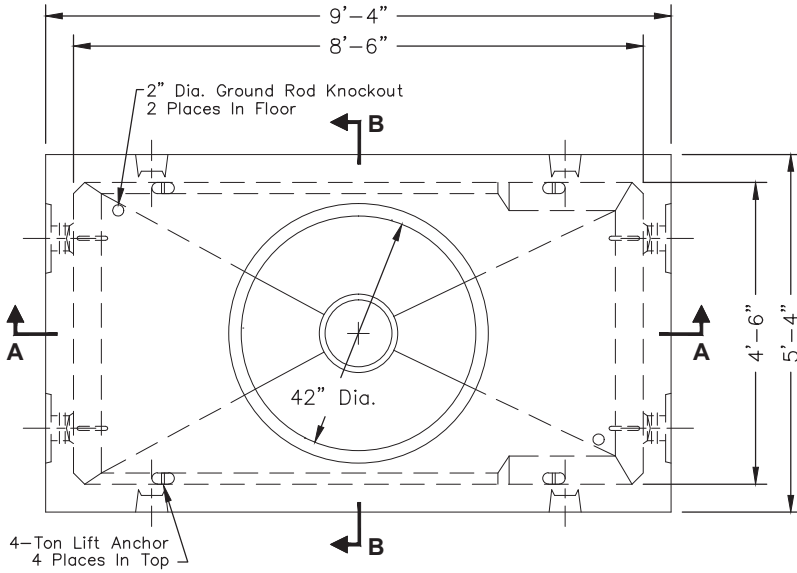


No. 38Y-4686-T42E
8,530 lbs.

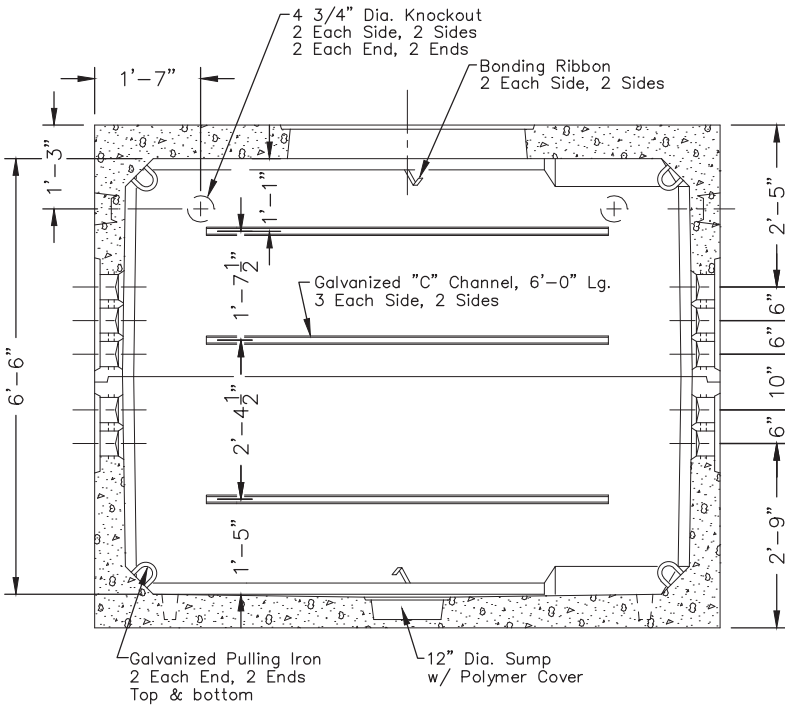
FOR DETAILS, SEE REVERSE>>

Items Shown Are Subject To Change Without Notice
Issue Date: April 2016

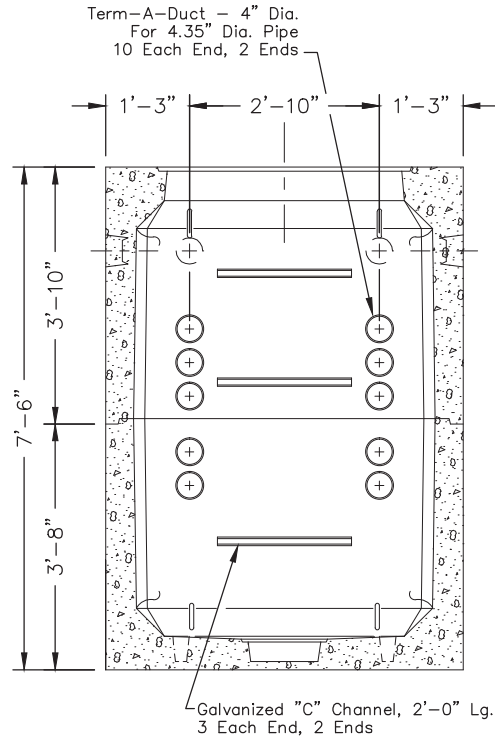
4686-TA



PLAN VIEW



SECTION AA



SECTION BB

SCALE: 3/8" = 1'-0"