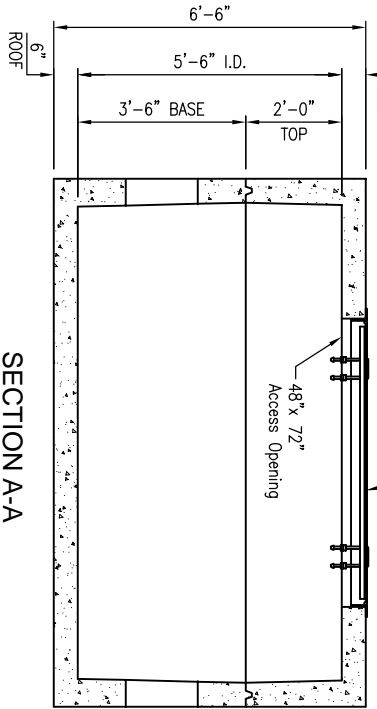
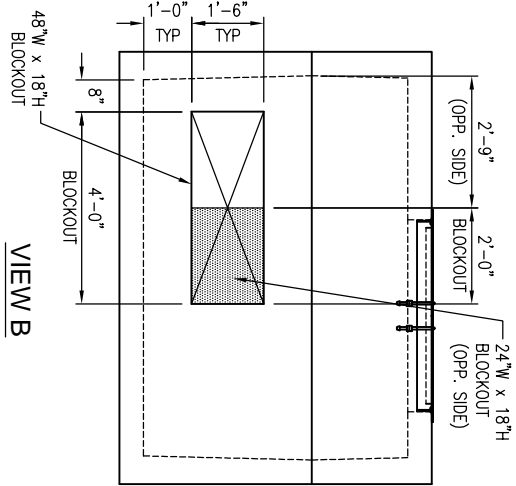


**PLAN VIEW**  
SCALE: 1/4" = 1'-0"



**SECTION A-A**  
SCALE: 1/4" = 1'-0"



**VIEW B**  
SCALE: 1/4" = 1'-0"

- INFORMATION NEEDED:**
1. TOP OF SEPARATOR ELEVATION \_\_\_\_\_
  2. INLET PIPE SIZE \_\_\_\_\_
  3. INLET PIPE ELEVATION \_\_\_\_\_
  4. OUTLET PIPE SIZE \_\_\_\_\_
  5. OUTLET PIPE ELEVATION \_\_\_\_\_

**REVISIONS**

REV	DATE	BY	SHEET	DESCRIPTION OF REVISION	REQUESTED BY
A					
B					
C					
D					

**GENERAL DESIGN NOTES:**

1. STRENGTH DESIGN METHOD I.A.W. ACI 318
2. APPLICABLE DESIGN CODES:
  - ACI 318 (MAIN DESIGN SPECIFICATION)
  - ASTM C913 (PRODUCT SPECIFICATION)
3. PRECAST RATED FOR HS20 LIVE LOAD W/ IMPACT I.A.W. AASHTO SPECIFICATION
4. DESIGN FILL RANGE = (0(MIN) TO 2(MAX))
5. GROUND WATER TABLE ASSUMED AT 5' BELOW GRADE. IF DESIGN (OR ACTUAL) WATER TABLE IS LESS THAN ASSUMED, REVIEWING ENGINEER TO NOTIFY OLDCASTLE PRECAST UPON REVIEW OF THIS SUBMITTAL.
6. LATERAL DESIGN PRESSURES:
  - EQUIV DRY SOIL FLUID PRESSURE = 47 PCF
  - EQUIV SATURATED SOIL FLUID PRESSURE = 80 PSF
  - LIVE LOAD SURCHARGE PRESSURE = 2'
7. CONCRETE COMPRESSIVE STRENGTH AT 28 DAYS = 5,000 PSI.
8. REINFORCEMENT: ASTM A615, GRADE 60.
9. JOINT SEALANT: BUTYL RUBBER, SS-0100210
10. THESE CALCULATIONS DO NOT INCLUDE ANY LATERAL OR SURCHARGE LOADS PRODUCED BY OTHER FOOTINGS OR FOUNDATIONS ADJACENT TO THIS STRUCTURE. THIS STRUCTURE SHALL BE KEPT A MINIMUM OF 1:1 RATIO AWAY FROM OTHER FOOTINGS OR FOUNDATIONS.

**NOTE TO REVIEWING ENGINEER:**

1. SUPPLY AND INSTALL ALL PIPING AND SAMPLING TEES.
2. DESIGN, AS SHOWN HEREIN, IS APPLICABLE ONLY TO STRUCTURAL PERFORMANCE OF PRECAST. CAPACITY (GALLONS) SHALL BE DETERMINED BY OTHERS BASED ON SPECIFIC PROJECT REQUIREMENT

**NOTE TO CONTRACTOR:**

1. SUPPLY AND INSTALL ALL PIPING AND SAMPLING TEES.
2. GROUT IN ALL PIPES AND WEIRS.
3. FILL WITH CLEAN WATER PRIOR TO "START UP" OF SYSTEM.
4. VERIFY SIZE AND LOCATION OF ALL OPENINGS.

APPROX. WEIGHTS		
SECTION	WEIGHT (lbs)	CONCRETE(CY)
24" TOP	11,400	2.82
42" BASE	17,400	4.30



4065 STROUP RD, CONCORD, NC  
OFFICE 704-798-4900 FAX 704-798-4900  
NC ENGINEERING LICENSE #F-1002

THIS DOCUMENT IS THE PROPERTY OF OLDCASTLE PRECAST, INC. IT IS CONFIDENTIAL, SUBMITTED FOR REFERENCE PURPOSES ONLY, AND SHALL NOT BE USED IN ANY WAY UNLESS TO THE INTERESTS OF OR WITHOUT THE WRITTEN PERMISSION OF OLDCASTLE PRECAST, INC. COPYRIGHT © 2017 OLDCASTLE PRECAST, INC. ALL RIGHTS RESERVED

**8'-0"x10'-0"x5'-6" I.D. Manter Vault**  
SUBMITTAL LAYOUT

APPROVED W/ NO EXCEPTIONS TAKEN:				
APPROVED AS NOTED:	APPROVED AS NOTED:	REVISED AND RESUBMIT:	APPROVED AS NOTED:	APPROVED AS NOTED:
<input type="checkbox"/>	<input type="checkbox"/>	<input type="checkbox"/>	<input type="checkbox"/>	<input type="checkbox"/>

THIS MUST BE FILLED OUT BEFORE MANUFACTURING BEGINS.

CUSTOMER	DATE	SALES	DRAWN	ENGINEER	CHECKED	SALES ORDER
8x10 Manter Vault	6/7/17					

DRAWING NUMBER	REVISION	SHEET
8x10 Manter Vault	1 OF 1	1