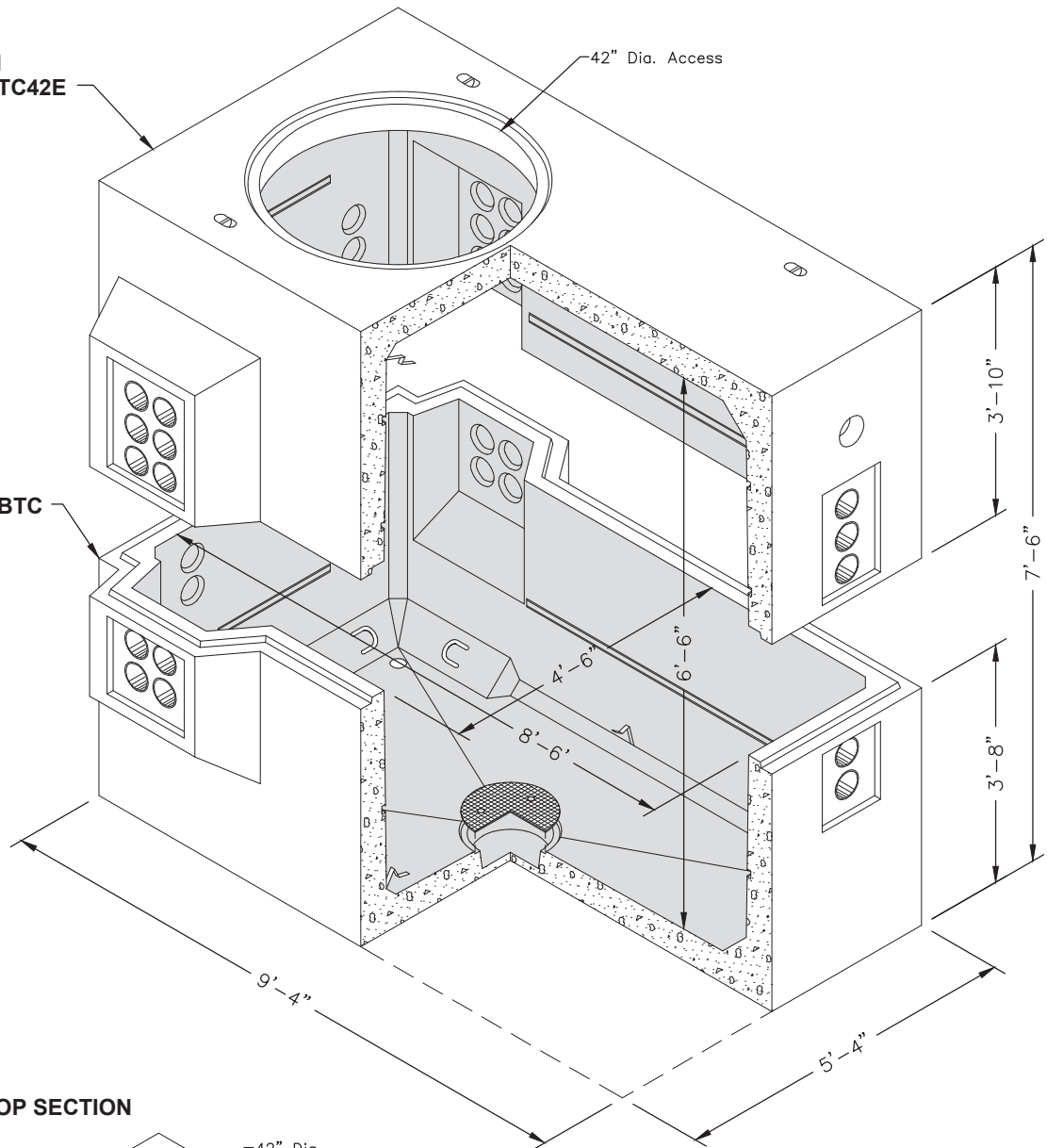


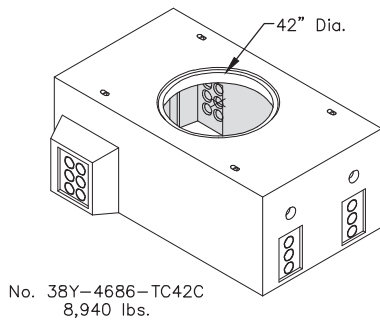
38Y-4686-TCA

TOP SECTION
No. 38Y-4686-TC42E
8,929 lbs.

BASE
No. 38Y-4686-BTC
9,862 lbs.



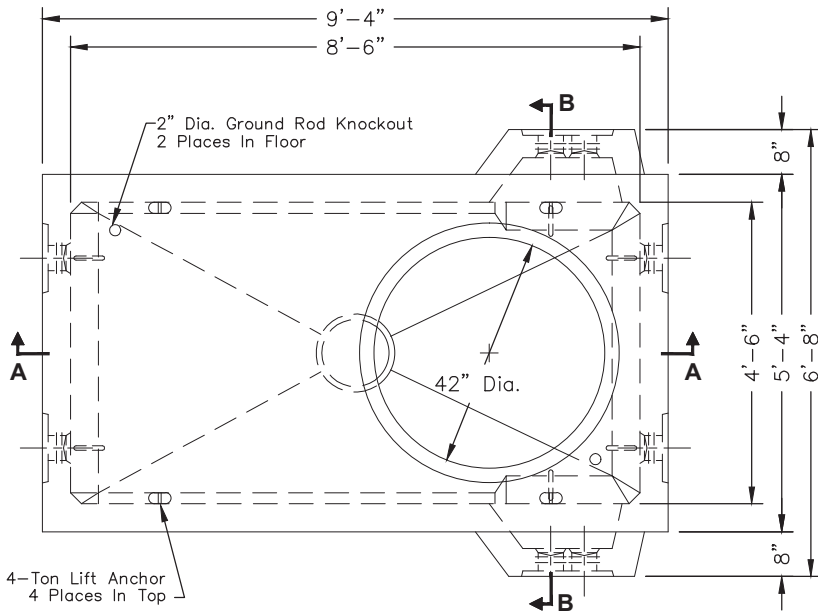
OPTIONAL TOP SECTION



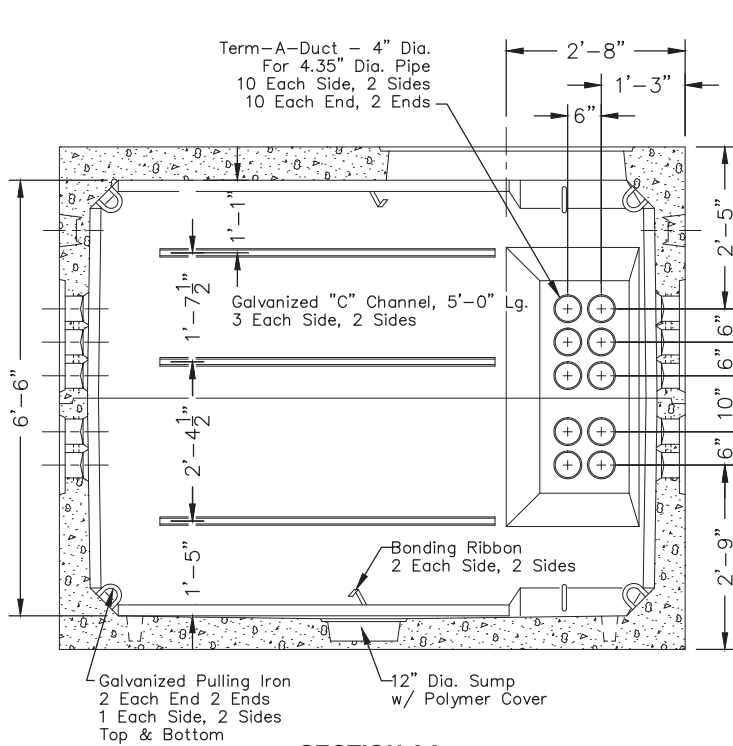
FOR DETAILS, SEE REVERSE>>

Items Shown Are Subject To Change Without Notice
Issue Date: April 2016

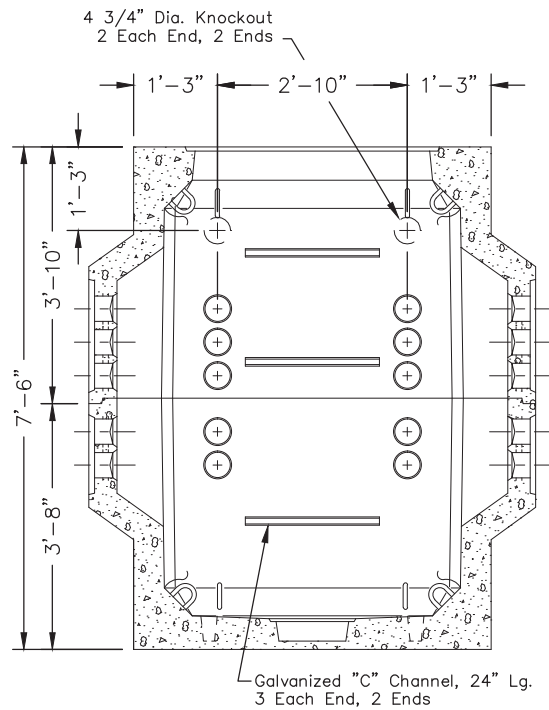
38Y-4686-TCA



PLAN VIEW



SECTION AA



SECTION BB

SCALE: 3/8" = 1'-0"