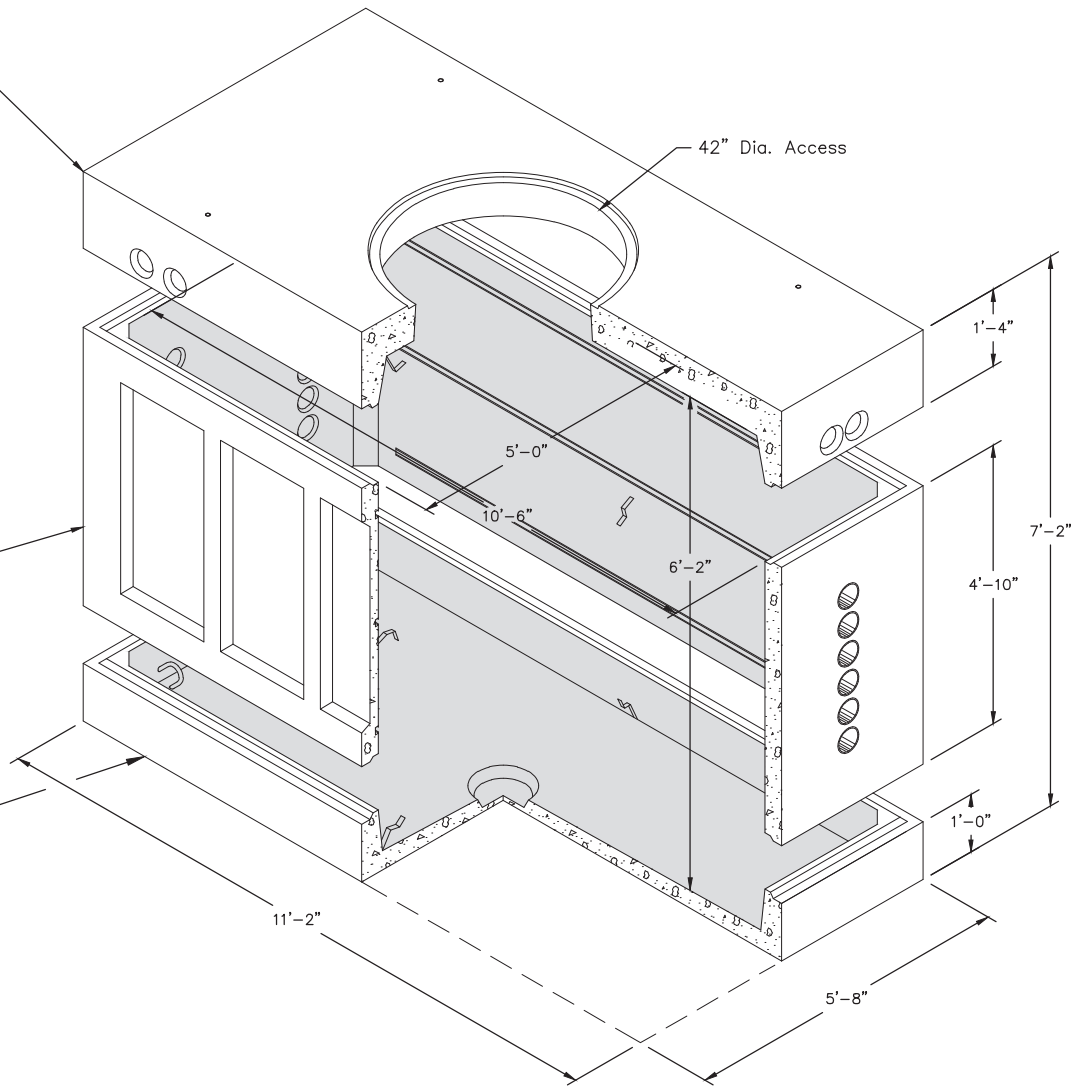


# 5106-TA

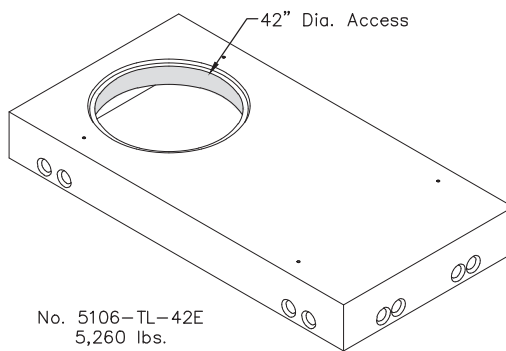
**TOP SECTION**  
**No. 5106-T42C**  
5,260 lbs

**VAULT**  
**No. 5106-MT**  
7,371 lbs

**BASE**  
**No. 5106-BT**  
4,242 lbs



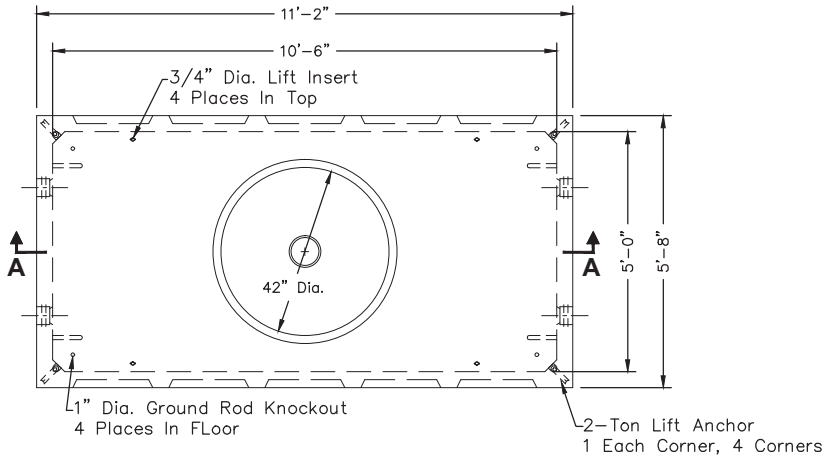
**OPTIONAL TOP SECTION**



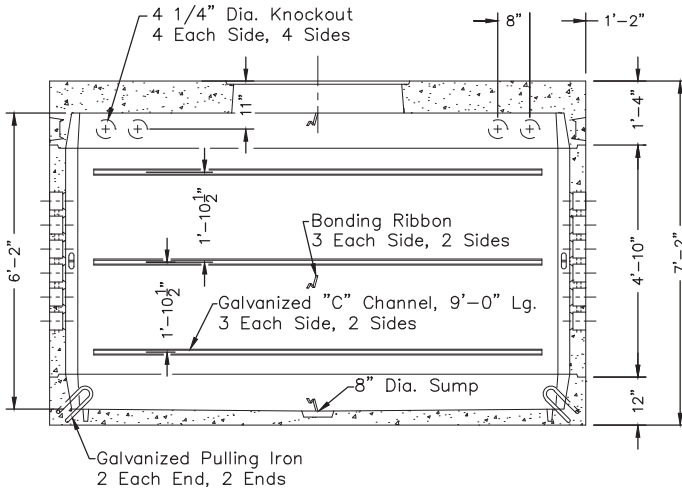
**FOR DETAILS, SEE REVERSE>>**

Items Shown Are Subject To Change Without Notice  
Issue Date: April 2016

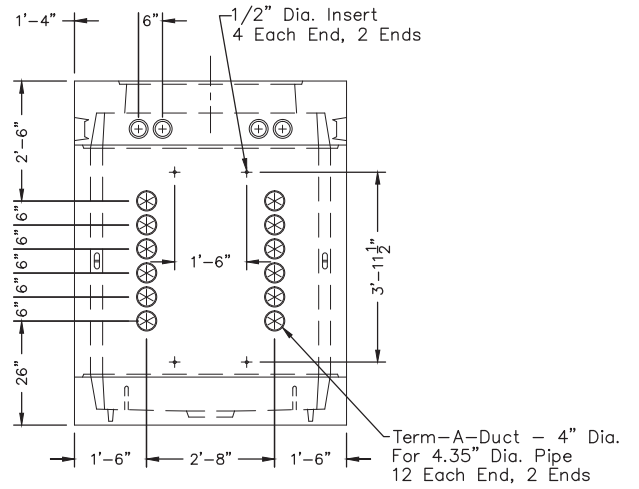
# 5106-TA



**PLAN VIEW**



**SECTION AA**



**END VIEW**

SCALE: 1/4" = 1'-0"