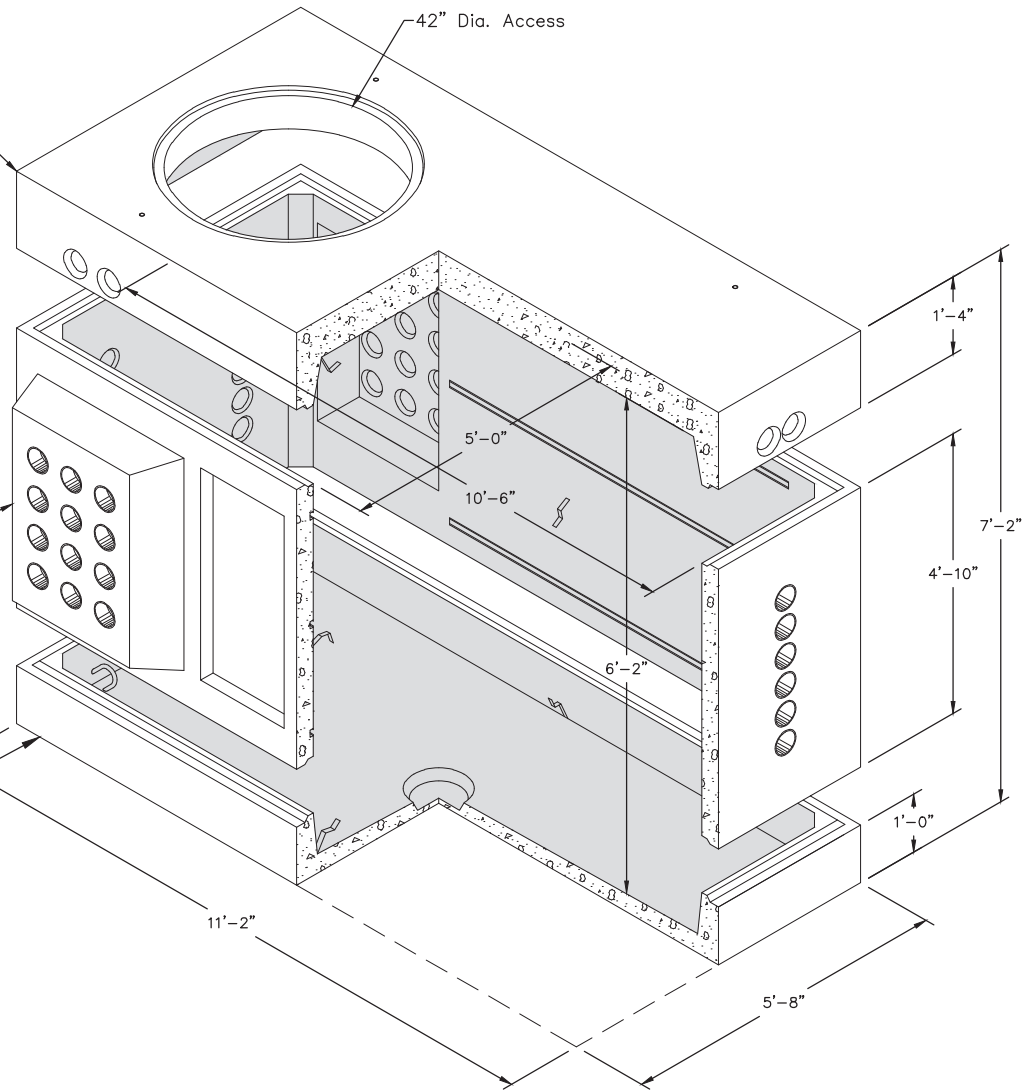


# 5106-TCA

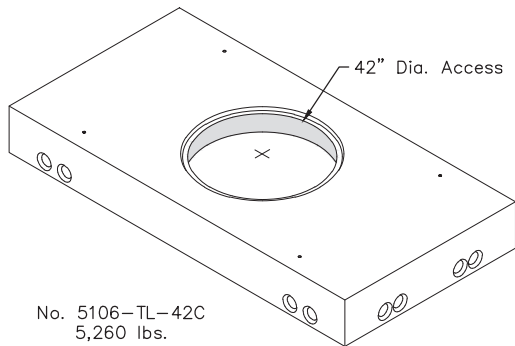
**TOP SECTION**  
No. 5106-T42E  
5,260 lbs

**VAULT**  
No. 5106-MTC  
7,200 lbs.

**BASE**  
No. 5106-BT  
4,980 lbs



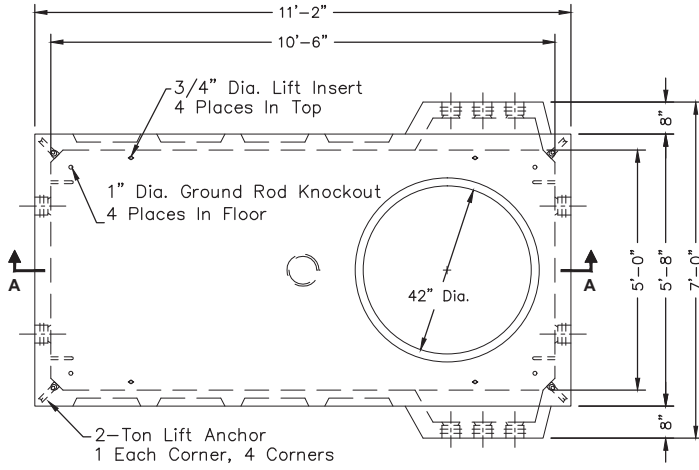
## OPTIONAL TOP SECTION



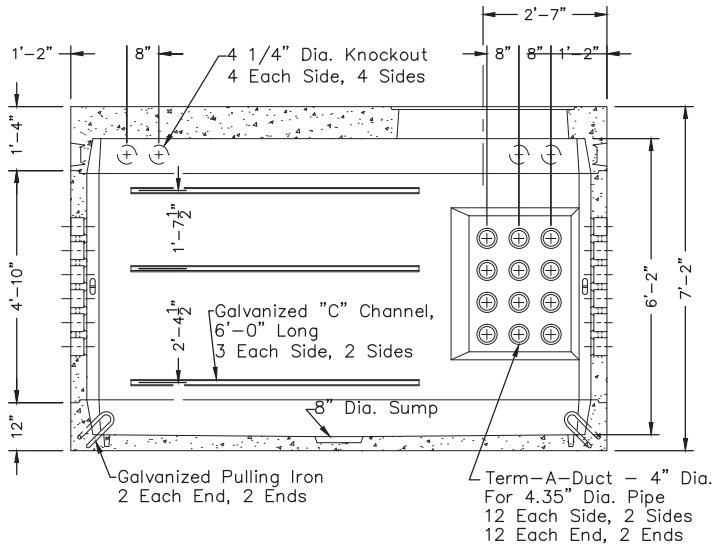
**FOR DETAILS, SEE REVERSE>>**

Items Shown Are Subject To Change Without Notice  
Issue Date: April 2016

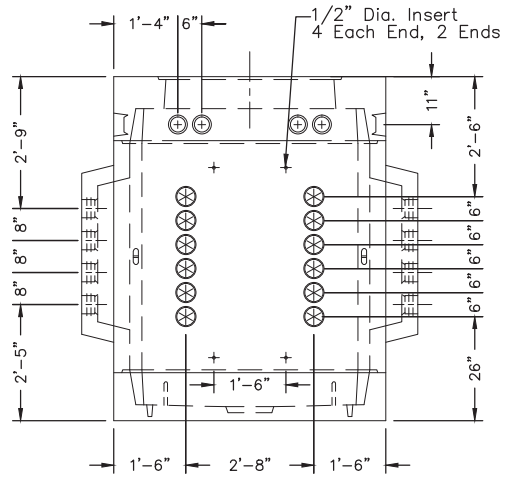
# 5106-TCA



**PLAN VIEW**



**SECTION AA**



**END VIEW**

SCALE: 1/4" = 1'-0"