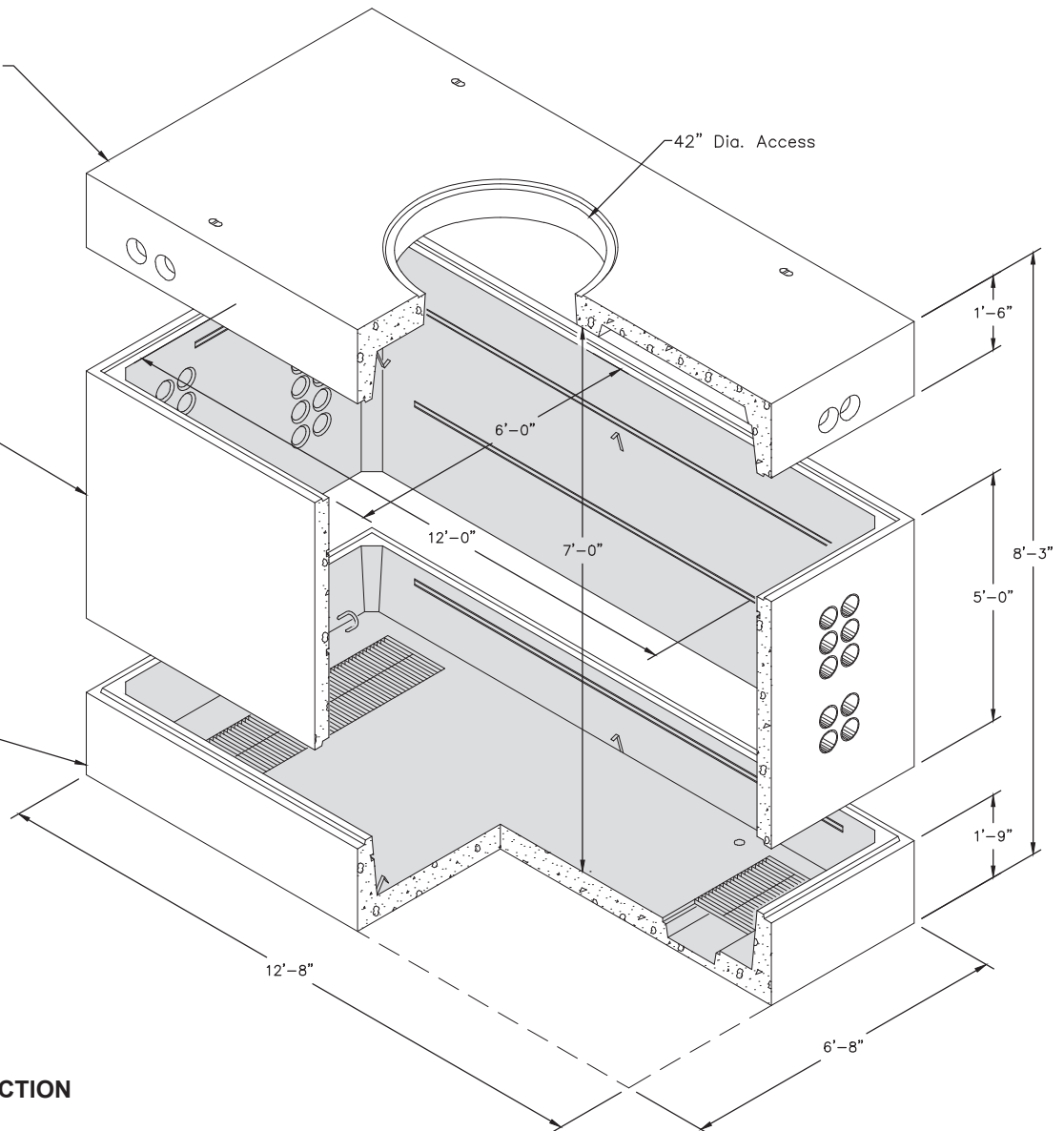


612-7-TA

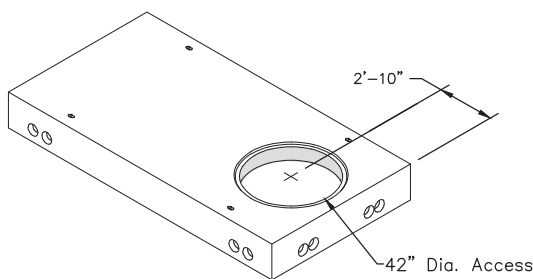
TOP SECTION
No. 612-T42C
9,200 lbs.

VAULT
No. 612-MT
8,800 lbs.

BASE
No. 612-DBT
9,750 lbs.



OPTIONAL TOP SECTION

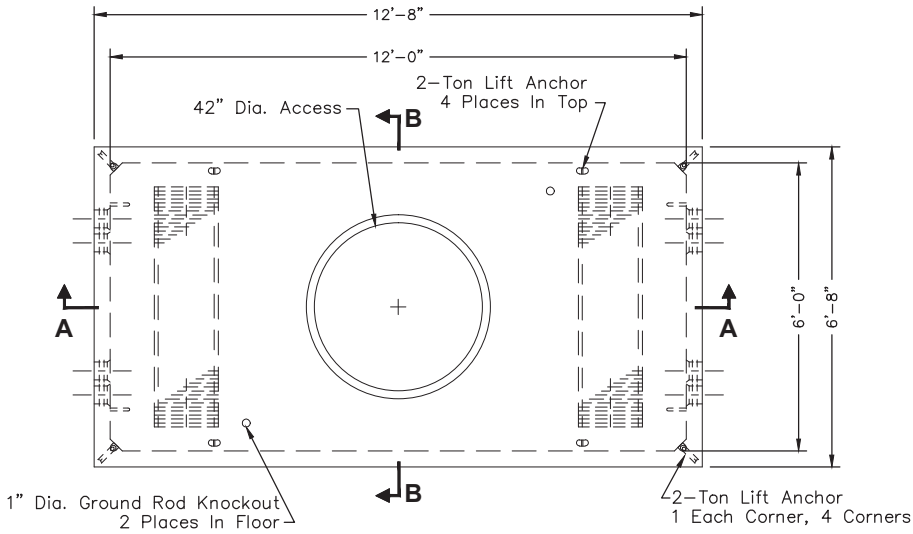


No. 612-T42E
9,200 lbs.

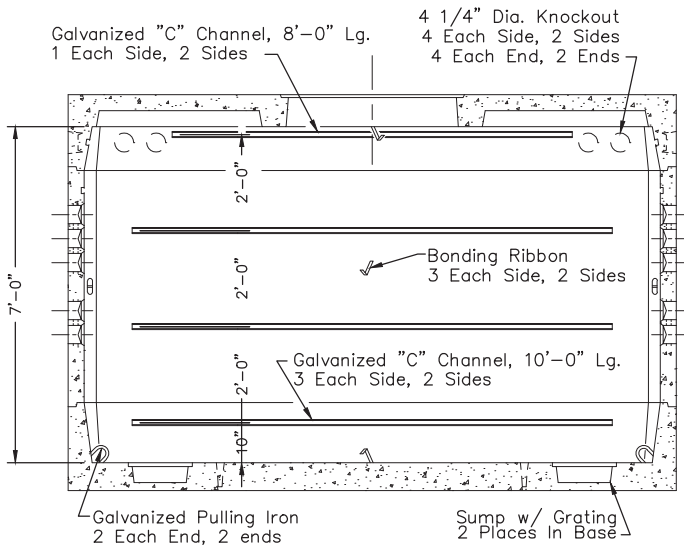
FOR DETAILS, SEE REVERSE>>

Items Shown Are Subject To Change Without Notice
Issue Date: April 2016

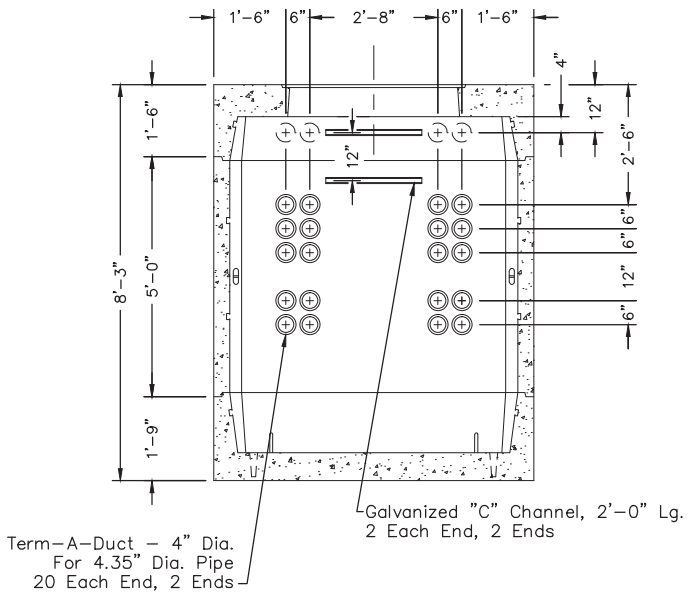
612-7-TA



PLAN VIEW



SECTION AA



SECTION BB

SCALE: 1/4" = 1'-0"