

612-7-TCA

TOP SECTION
No. 612-T42E

9,200 lbs.

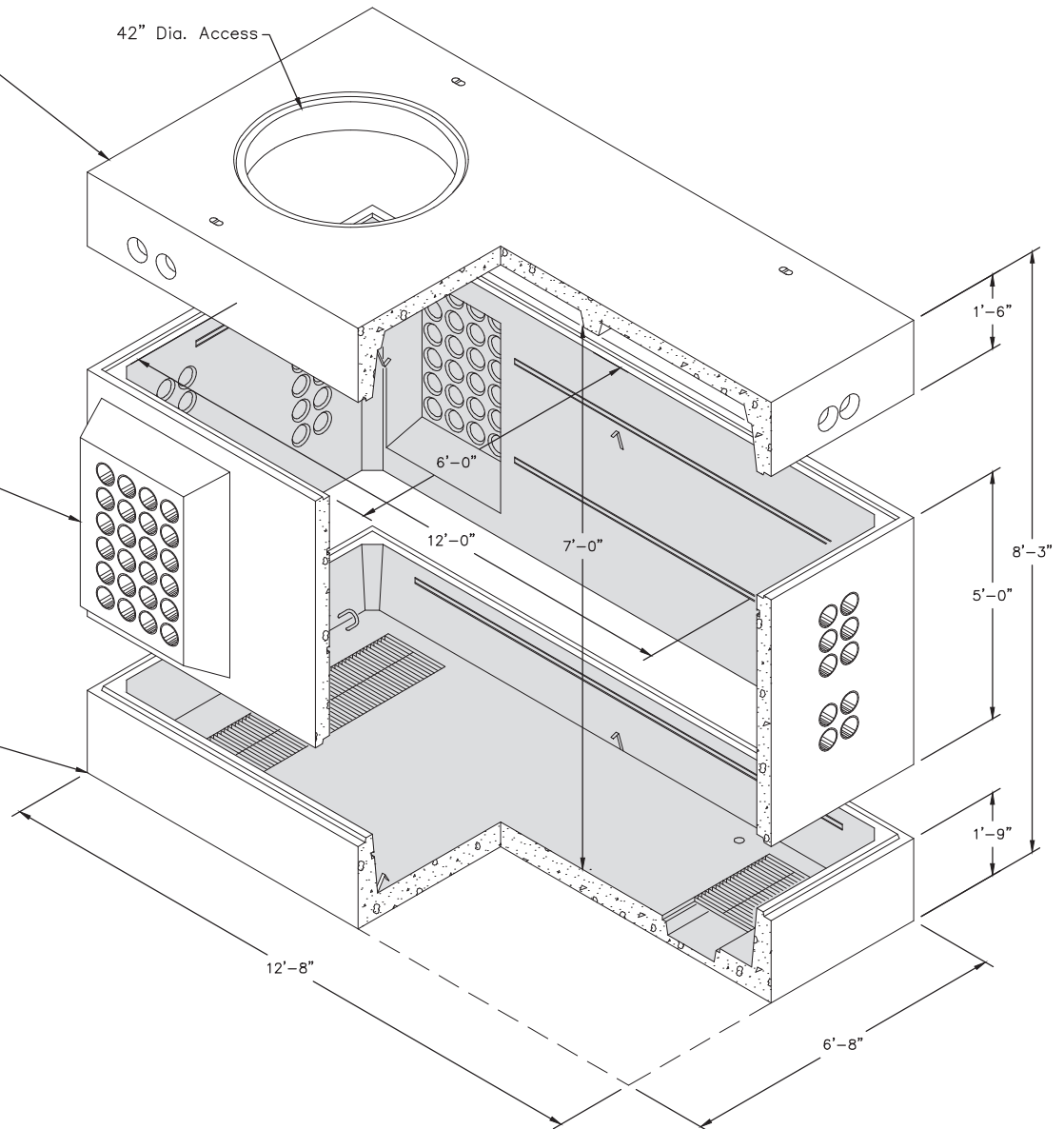
42" Dia. Access

VAULT
No. 612-MTC

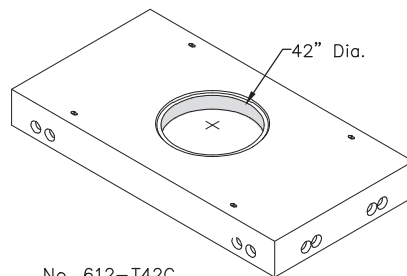
8,950 lbs.

BASE
No. 612-DBT

9,750 lbs.



OPTIONAL TOP SECTION

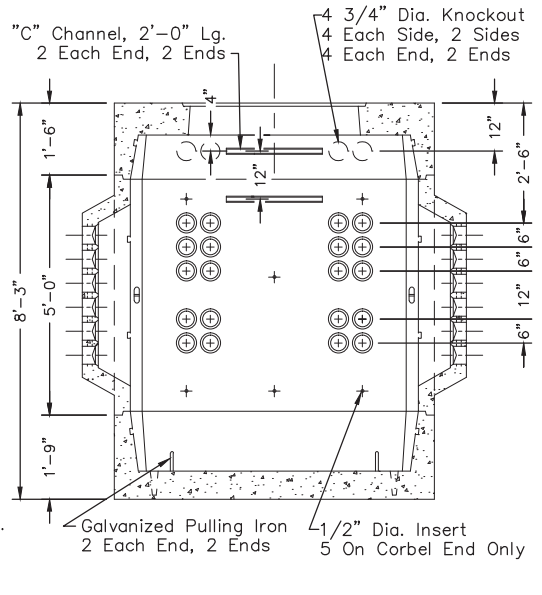
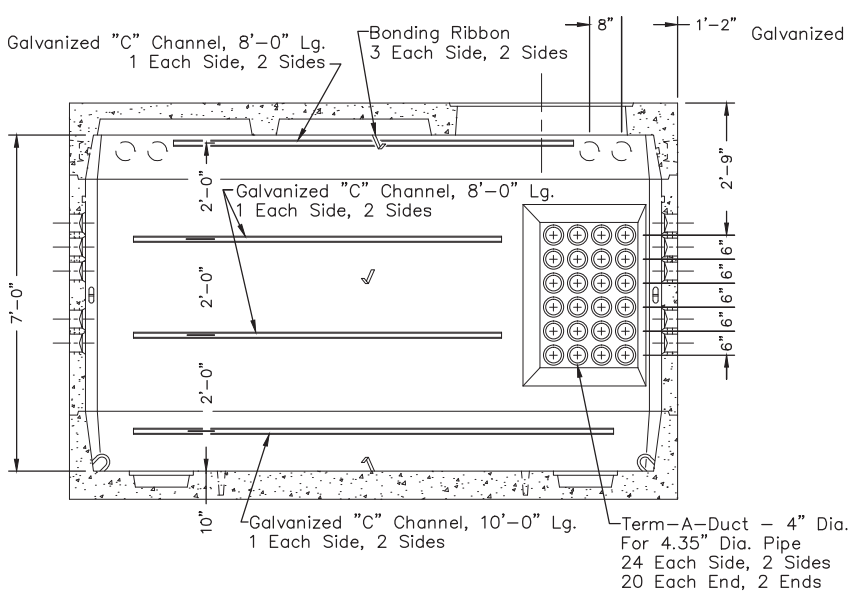
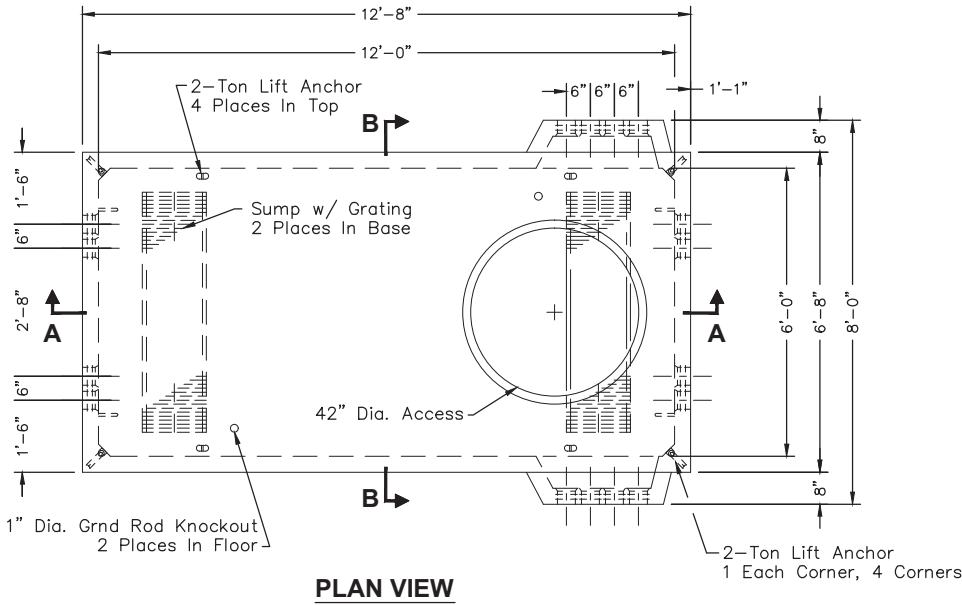


No. 612-T42C
7,800 lbs.

FOR DETAILS, SEE REVERSE>>

Items Shown Are Subject To Change Without Notice
Issue Date: April 2016

612-7-TCA



SCALE: 1/4" = 1'-0"