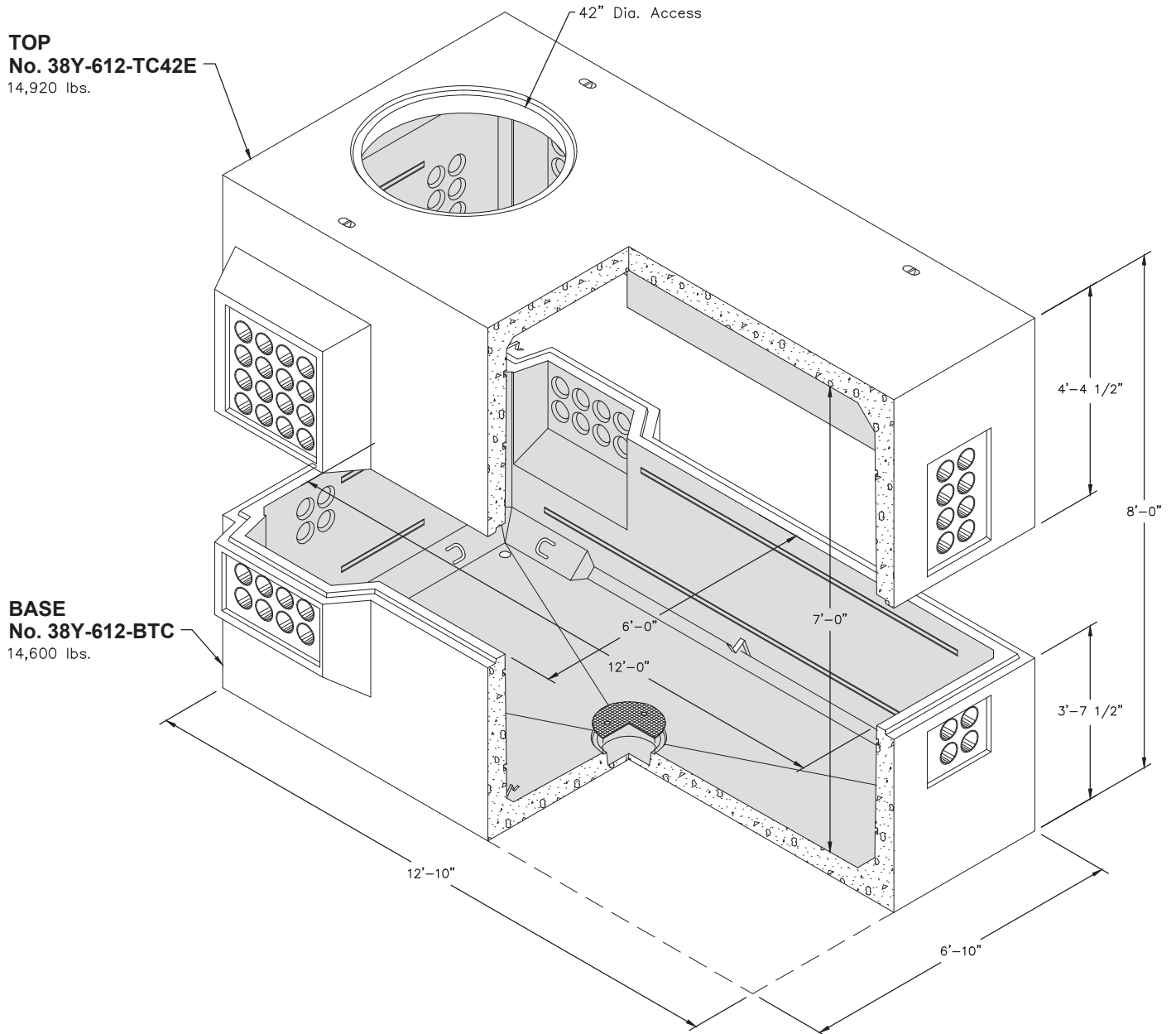


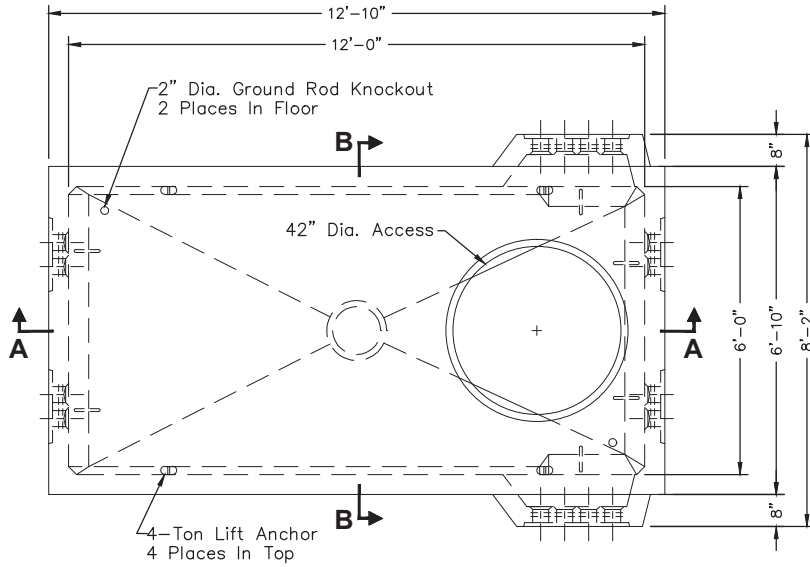
38Y-612-TCA



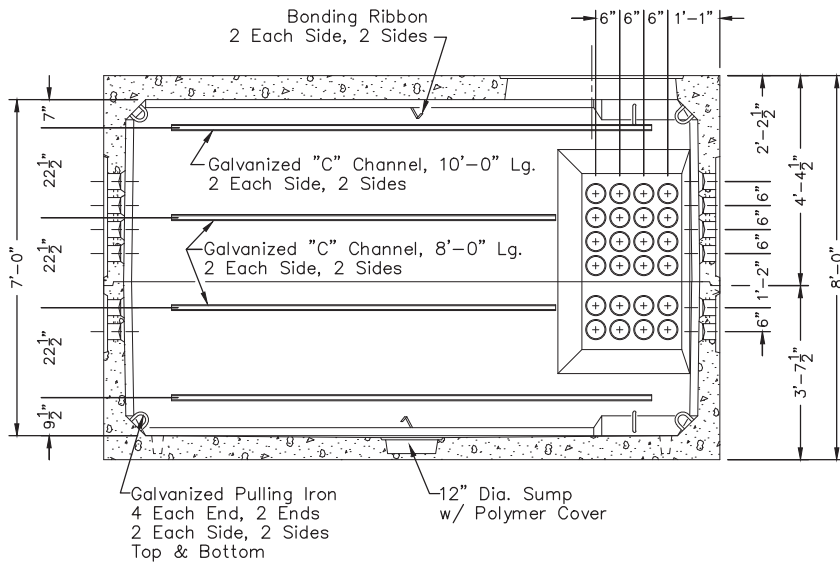
FOR DETAILS, SEE REVERSE>>

Items Shown Are Subject To Change Without Notice
Issue Date: April 2016

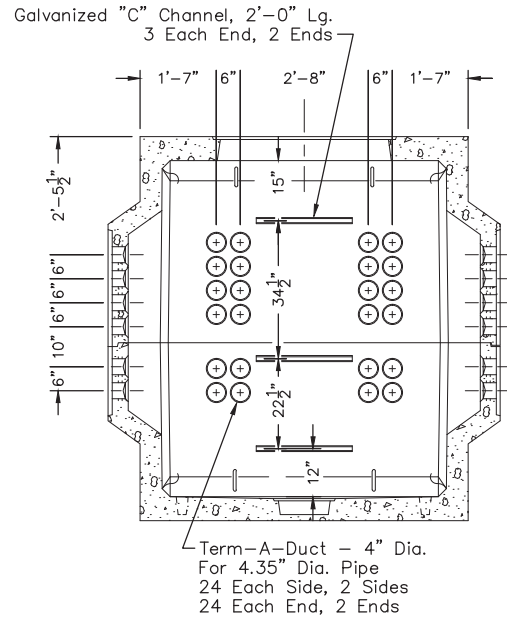
38Y-612-TCA



PLAN VIEW



SECTION AA



SECTION BB

SCALE: 1/4" = 1'-0"