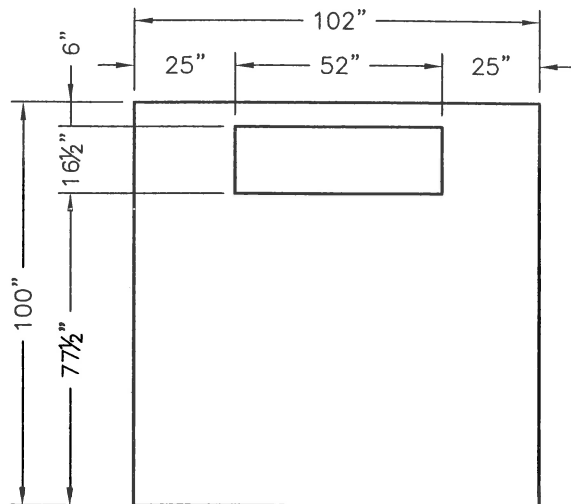


**42 x 42
MS-7920**

For Single Phase Transformers
25 KVA and 50 KVA

**UV # 0370690
APS - APN 04205714**

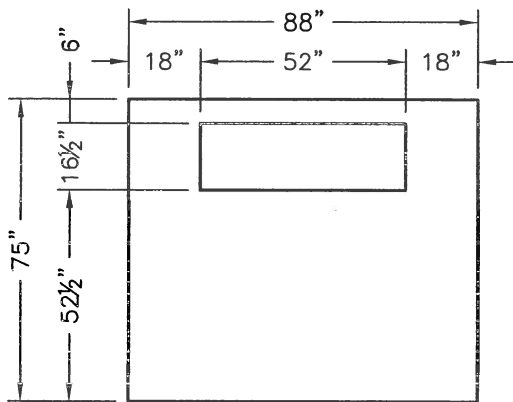


Thickness = 6"

**100 x 102
MS-7935**

For Three-Phase Transformers
1000 KVA Thru 2500 KVA

UV # 0370800

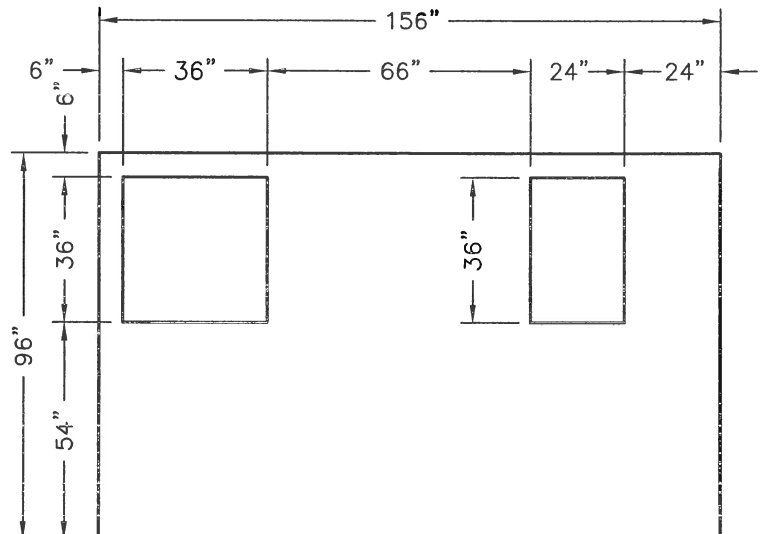


Thickness = 8"

**75 x 88
MS-7933**

For Three-Phase Transformers
112.5 KVA Thru 750 KVA

**UV # 0370790
APS-APN # 04205708**



Thickness = 8"

**96 x 156
MS-7937**

For Three-Phase
1000 KVA Thru 2000 KVA
Network Transformers

UV # 1900000

SCALE: 1/4"=1'-0"



411 E. Frye Rd., Chandler, Arizona 85244
Phone: (480)963-2678 Fax: (480)899-1937

APS PADMOUNTS

FILE NAME: 040UETAPSPADS.DWG

ISSUE DATE: DEC, 2003

www.oldcastleprecast.com

**PADMOUNTS
APS**

Copyright © 2001 Oldcastle Precast, Inc.