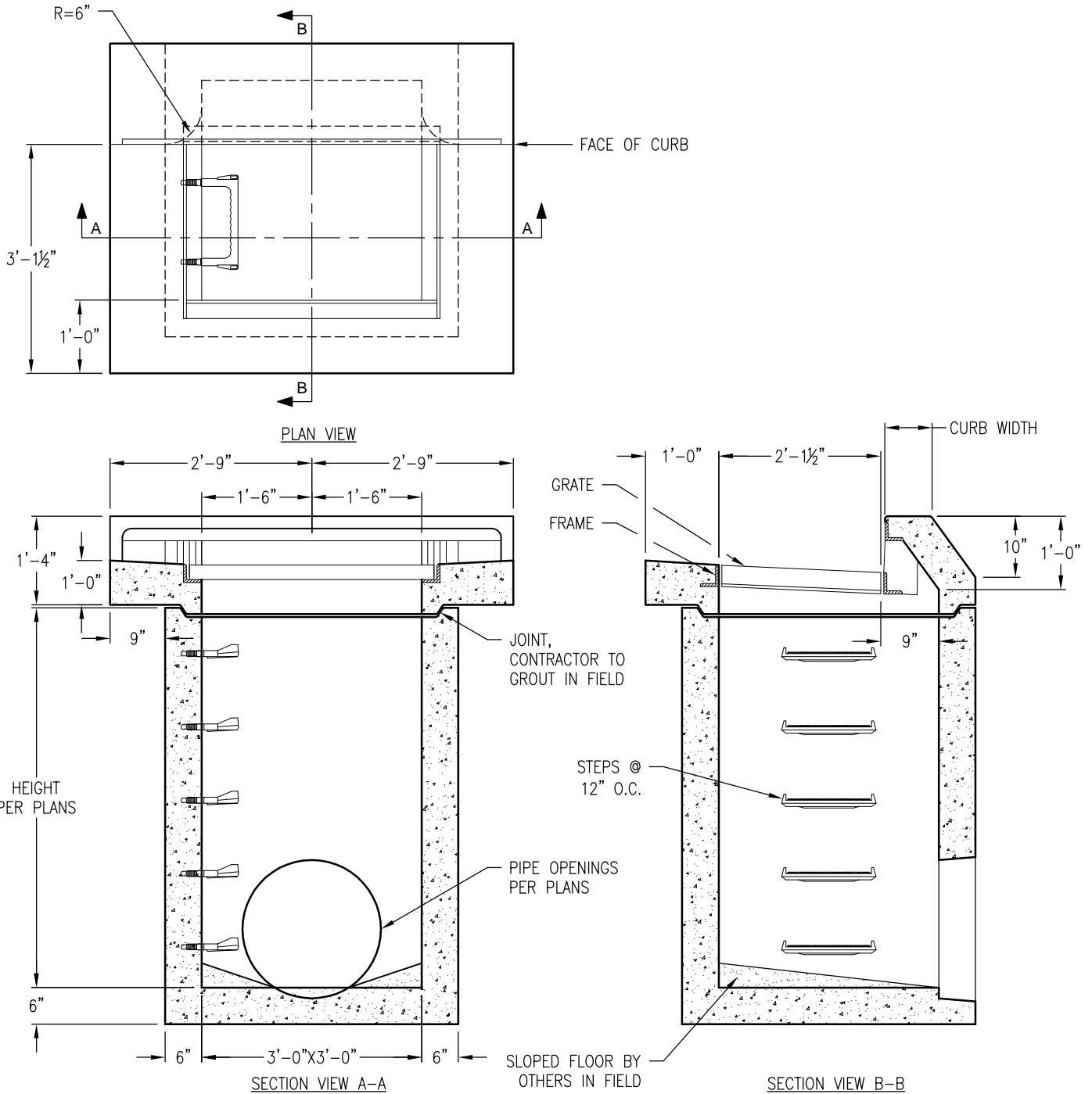


NOTES:

1. REINFORCING STEEL SHALL CONFORM TO REQUIREMENTS AND PROVISIONS OF THE CITY OF OAKLAND.
2. INLET FRAME AND GRATE SHALL BE STANDARD BICYCLE TYPE DESCRIBED IN THE STANDARD DETAILS OF THE SPECIFICATION OF THE CITY OF OAKLAND.
3. SLOPED FLOOR BY OTHERS IN FIELD.



DRAWING MAY NOT CONFORM TO THE MOST CURRENT SPECIFICATION

**Oldcastle Precast**<sup>®</sup>  
 Northern California  
 Madera ■ Morgan Hill ■ Pleasanton ■ Santa Rosa ■ Stockton ■ Tulare  
 Phone: 925-750-6650 Fax: 925-750-6660

<b>OAKLAND TYPE B</b>
FILE NAME: AGN-10.DWG
REVISED: MARCH 2016
<a href="http://www.oldcastleprecast.com">www.oldcastleprecast.com</a>

**CURB INLET TYPE B**  
**CITY OF OAKLAND**  
**AGENCY STRUCTURES**