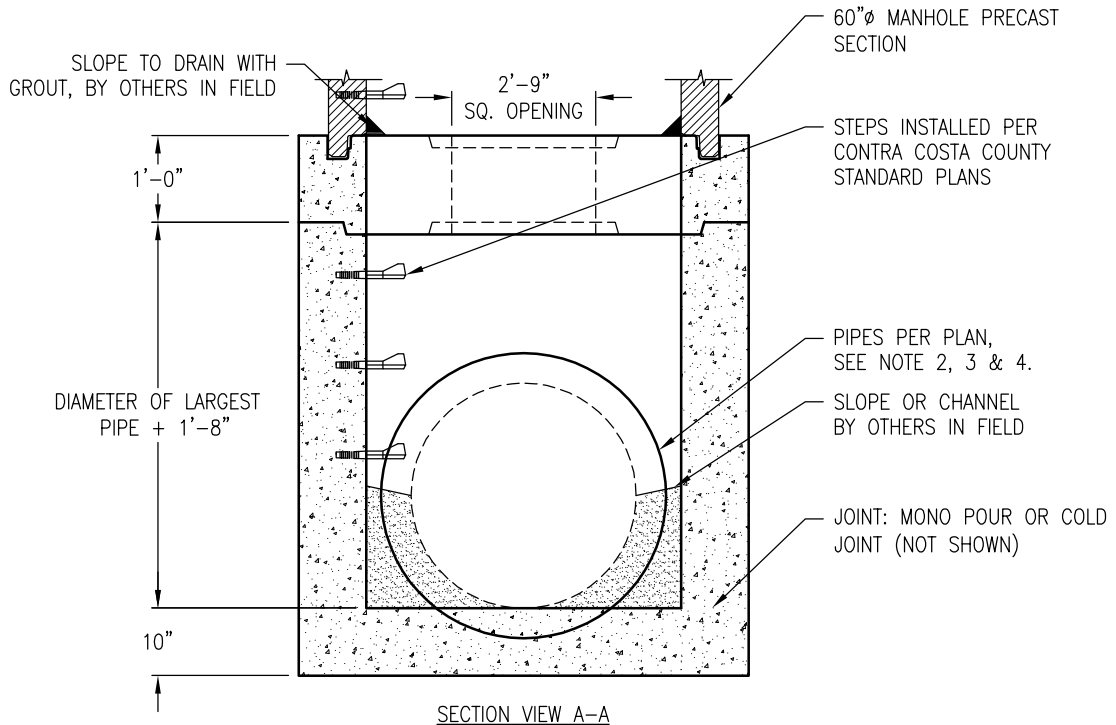
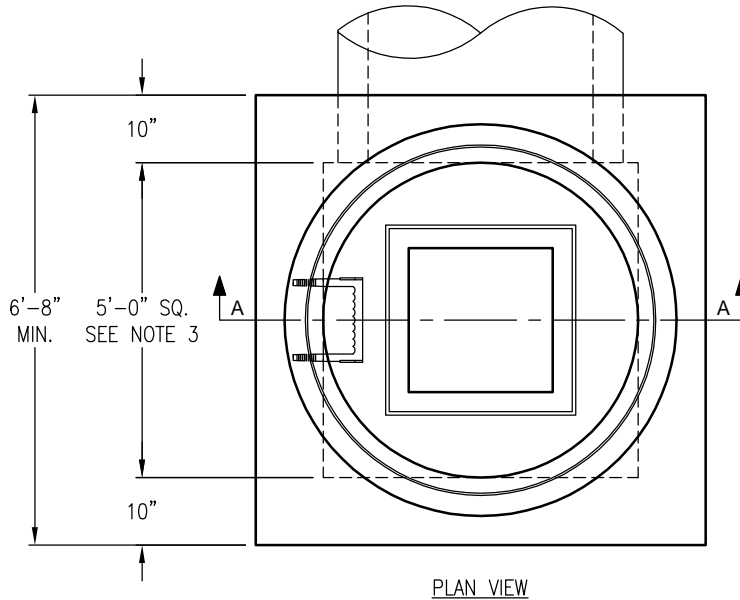


NOTES:

1. INLET AND OUTLETS PIPES SHALL NOT INTERCEPT A MANHOLE BASE THROUGH A CORNER. IF THE SKEW ANGLE IS TOO GREAT, OR LARGE PARALLEL PIPES PREVENT THE OPENING IN A SINGLE WALL; USE A TYPE V MANHOLE BASE PER CONTRA COSTA COUNTY STANDARD PLANS. CALL FOR ADDITIONAL INFORMATION.
2. TYPE III MANHOLE BASES ARE FOR USE WITH PIPE UP TO 60" IN DIAMETER.
3. HOLES CAST TO ACCOMMODATE PIPING.
4. CALL FOR ADDITIONAL INFORMATION ABOUT SPECIAL APPLICATIONS.



WEIGHT OF TRANSITION SLAB: 2,900 LBS
 WEIGHT OF WALL SECTION: 2,465 LBS/FT
 WEIGHT OF FLOOR SECTION: 4,090 LBS

DRAWING MAY NOT CONFORM TO THE MOST CURRENT SPECIFICATION



Oldcastle Precast[®]
 Northern California
 Madera ■ Morgan Hill ■ Pleasanton ■ Santa Rosa ■ Stockton ■ Tulare
 Phone: 925-750-6650 Fax: 925-750-6660

CCC TYPE III-SQ. ACC.

FILE NAME: AGN-5.DWG

REVISED: MARCH 2016

www.oldcastleprecast.com

**TYPE III INLET-SQ. ACCESS
 CONTRA COSTA COUNTY
 AGENCY STRUCTURES**

Copyright © 2016 Oldcastle Precast, Inc.