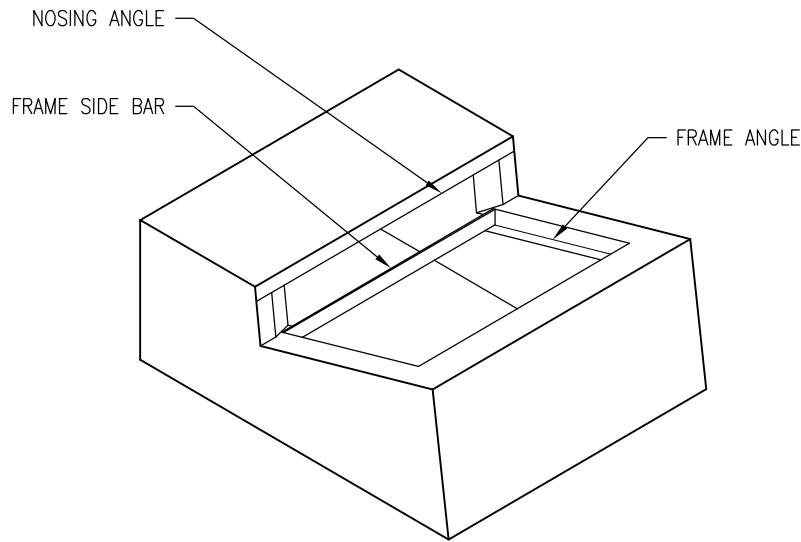
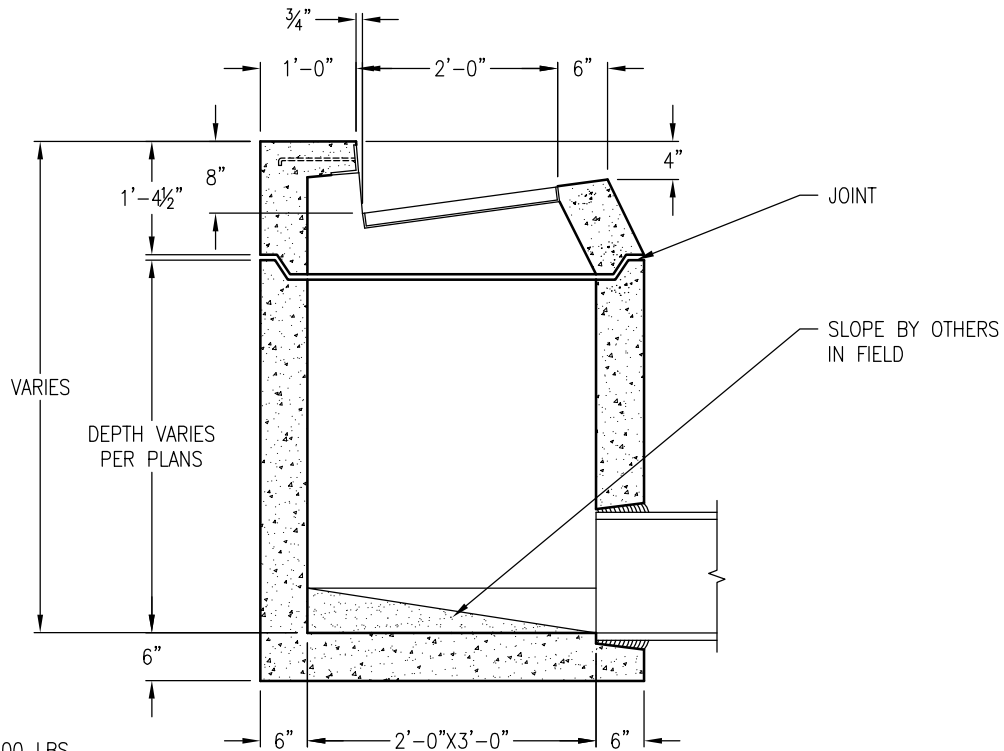


NOTES:

1. ALL METAL SHALL BE STRUCTURAL GRADE AND BE GALVANIZED.
2. SLOPED FLOOR BY OTHERS IN FIELD.



ISOMETRIC VIEW



SECTION VIEW

TOP WEIGHT W/O GRATE: 1,000 LBS.
 WEIGHT OF GRATE: 109 LBS
 WEIGHT OF BASE VARIES

DRAWING MAY NOT CONFORM TO THE MOST CURRENT SPECIFICATION



Oldcastle Precast

Northern California

Madera ■ Morgan Hill ■ Pleasanton ■ Santa Rosa ■ Stockton ■ Tulare
 Phone: 925-750-6650 Fax: 925-750-6660

TYPE-C CURB INLET

FILE NAME: AGN-9.DWG

REVISED: MARCH 2016

www.oldcastleprecast.com

**MARIN COUNTY TYPE C TOP
 CITY OF BELMONT
 AGENCY STRUCTURES**

Copyright © 2016 Oldcastle Precast, Inc.