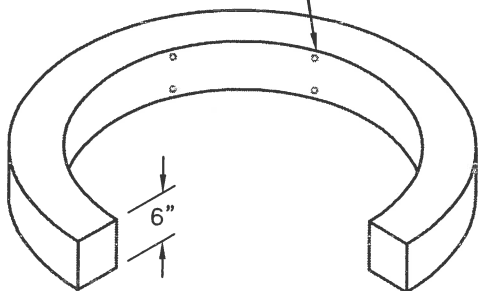


**NO. GR3704**  
 37" Inside diameter  
 48" Outside diameter  
 260 lbs.

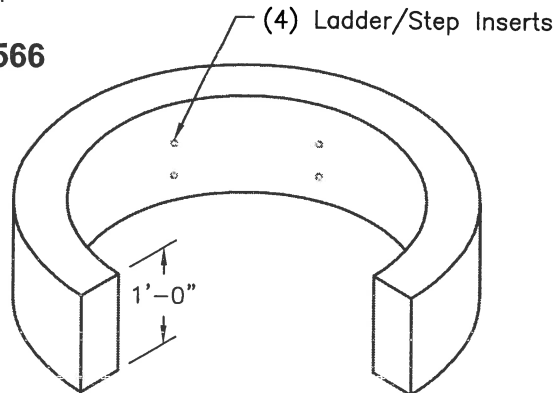
**APS-APN # 32902566**

(4) Ladder/Step Inserts



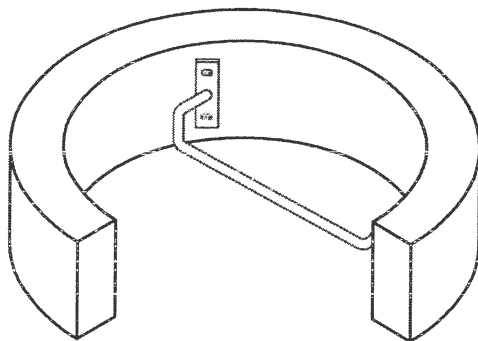
**NO. GR3706**  
 37" Inside diameter  
 48" Outside diameter  
 390 lbs.

**APS-APN # 32902564**



**NO. GR3712**  
 37" Inside diameter  
 48" Outside diameter  
 780 lbs.

**APS-APN # 32902562**



**GRADE RING WITH OPTIONAL STEP**  
 6" And 12" Rings

SCALE: 1/2" = 1'-0"



411 E. Frye Rd., Chandler, Arizona 85244  
 Phone: (480)963-2678 Fax: (480)899-1937

**GRADE RINGS**

FILE NAME: 040UEEGDRINGSI.DWG

ISSUE DATE: DEC, 2003

[www.oldcastleprecast.com](http://www.oldcastleprecast.com)

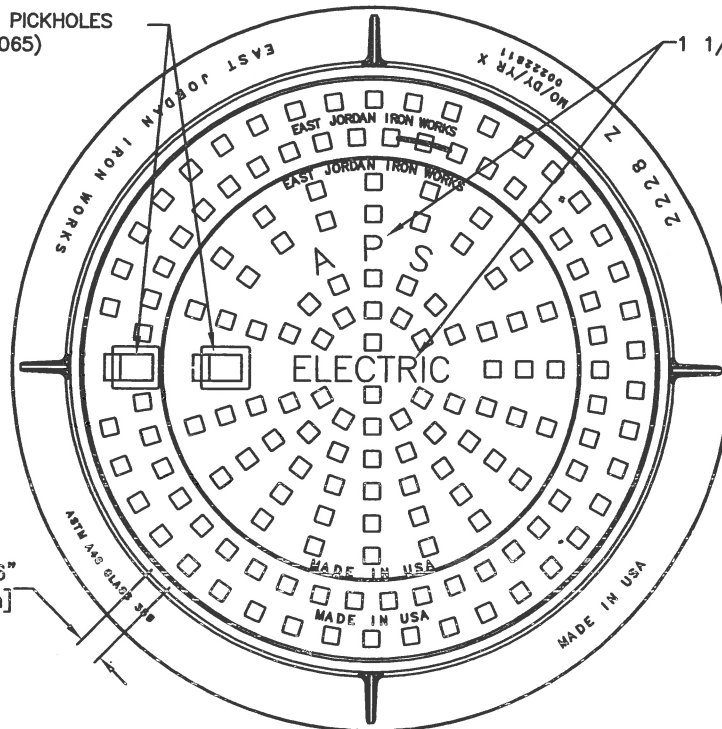
**GRADE RINGS  
 APS**

Copyright © 2001 Oldcastle Precast, Inc.

CLOSED PICKHOLES  
(REF. 2065)

1 1/2" [38mm] LETTERING

1 9/16"  
[40mm]



PLAN VIEW

SCALE: 1"=1'-0"

APN 32901160



UV UTILITY VAULT Division

411 E. Frye Rd., Chandler, Arizona 85244  
Phone: (480)963-2678 Fax: (480)899-1937

FRAME & COVER

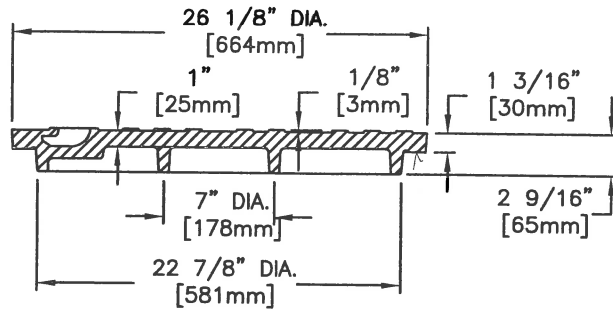
FILE NAME: 040UAHAPS1.DWG

ISSUE DATE: DEC, 2003

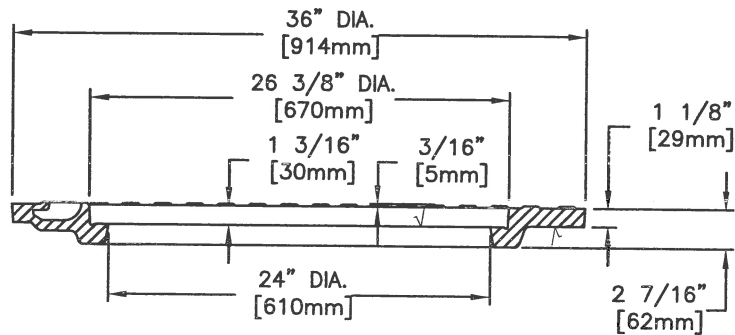
www.oldcastleprecast.com

CAST IRON MANHOLE COVER  
APS

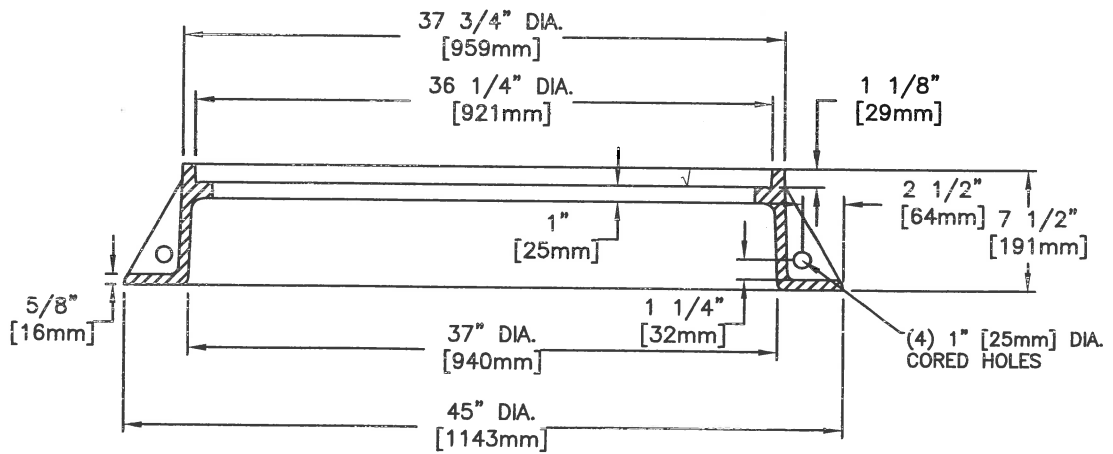
Copyright © 2001 Oldcastle Precast, Inc.



INNER COVER SECTION VIEW



OUTER COVER SECTION VIEW



FRAME SECTION VIEW

SCALE: 1"=1'-0"

*APN 32901160*



411 E. Frye Rd., Chandler, Arizona 85244  
Phone: (480)963-2678 Fax: (480)899-1937

**FRAME & COVER**

FILE NAME: 040UAHAPS2.DWG

ISSUE DATE: DEC, 2003

www.oldcastleprecast.com

**CAST IRON MANHOLE COVER  
APS**

Copyright © 2001 Oldcastle Precast, Inc.