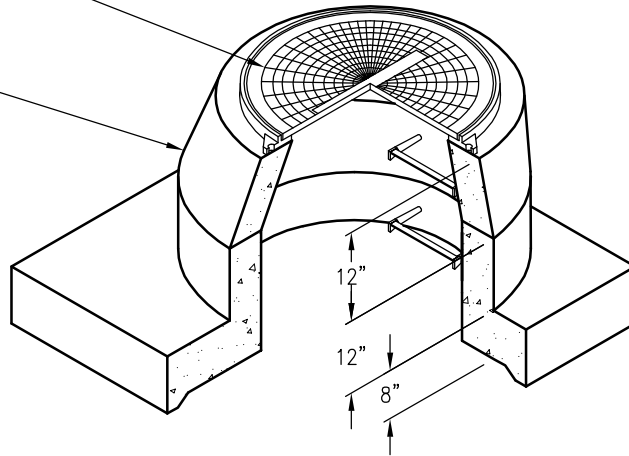


A-1106 ALHAMBRA FOUNDRY
 CAST IRON FRAME AND
 COVER, 30"Ø WITH PENTA
 HEAD BOLT DOWN

30"ØX36"X12" HIGH
 ECCENTRIC CONE



8EA. 28-HOLE CABLE RACKS
 WITH 1/2"Ø INSERTS

4'-0"

4'-0"

POLYPROPYLENE STEPS
 @ 12" O.C.

4EA. 7/8"Ø PULL-IRONS

2EA. 1/2"Ø BRASS
 GROUND INSERTS WITH
 1/2"X1" S.S. BOLTS

16EA. 4"Ø DUCTS
 WITH SECONDARY CAP PLUG

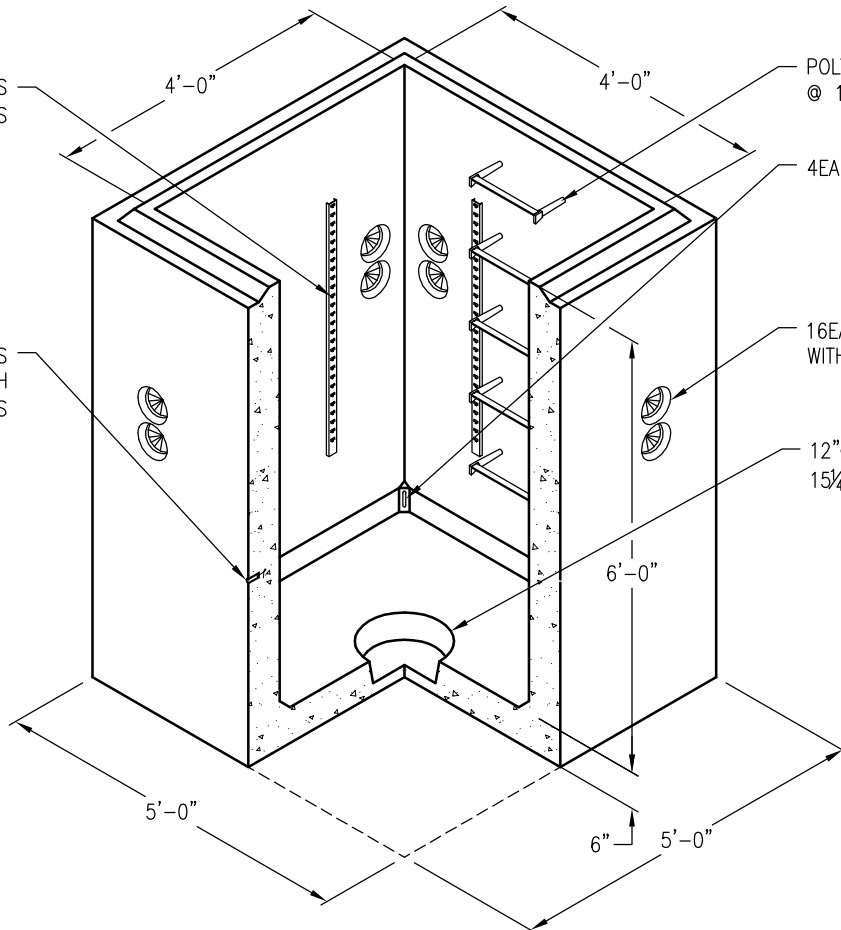
12"ØX4" DEEP SUMP WITH
 15/4"X4" RECESS

6'-0"

5'-0"

6"

5'-0"



TOP SLAB WEIGHT: 2,550 LBS.
 VAULT WEIGHT: 10,175 LBS.

DRAWING MAY NOT CONFORM TO THE
 MOST CURRENT SPECIFICATION



Oldcastle Precast[®]
 Northern California
 Madera ■ Morgan Hill ■ Pleasanton ■ Santa Rosa ■ Stockton ■ Tulare
 Phone: 925-750-6650 Fax: 925-750-6660

AT&T-FIBER OPTIC

FILE NAME: ATT-10.DWG

REVISED: MARCH 2016

www.oldcastleprecast.com

**4'-0" X 4'-0" X 6'-0" (I.D.)
 FIBER OPTIC BOX
 AT&T**

Copyright © 2016 **Oldcastle** Precast, Inc.