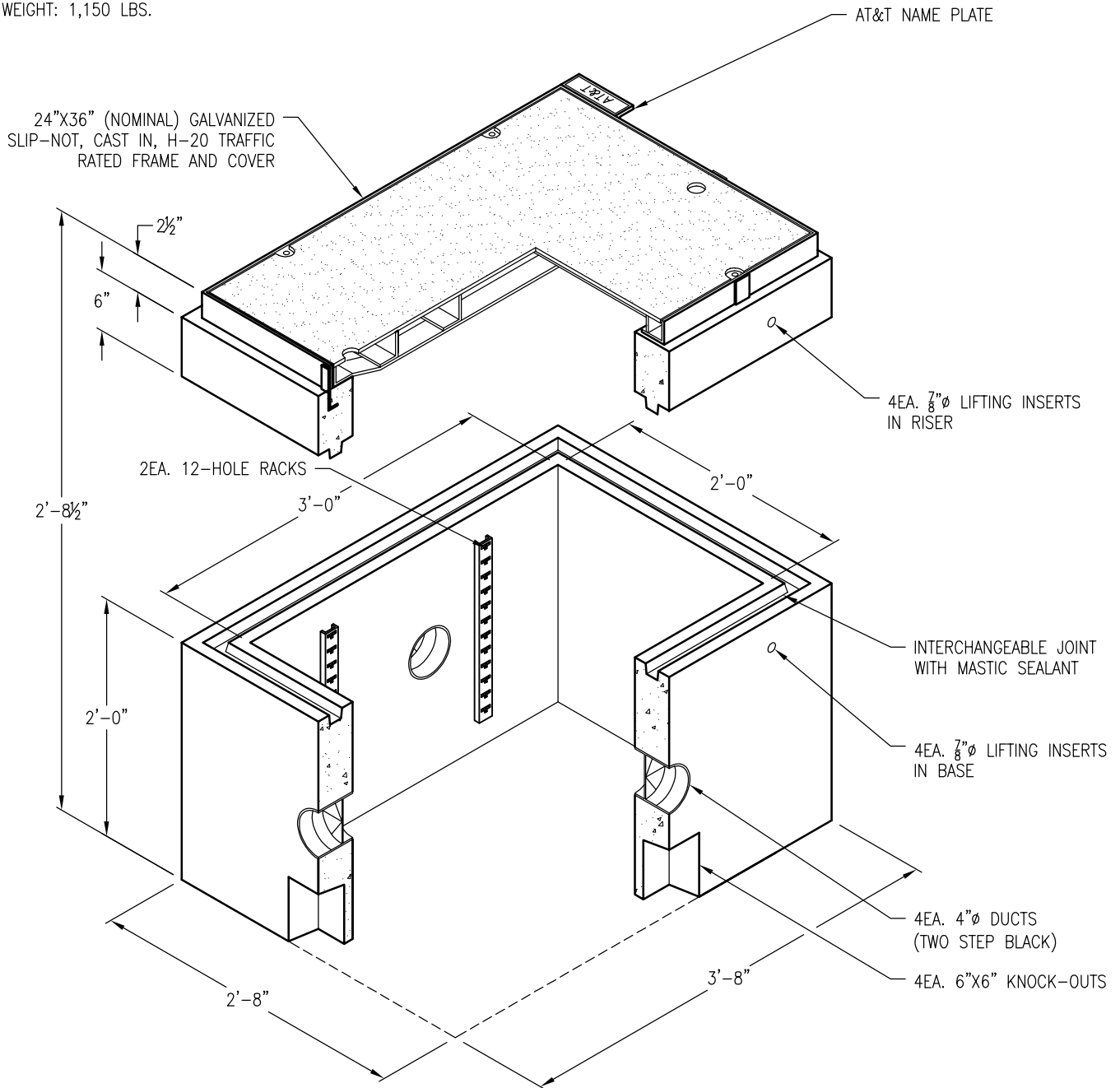


SPLICE BOX ASSEMBLY
 PID NO.: 301179768
 RISER WEIGHT: 300 LBS.
 BASE WEIGHT: 1,150 LBS.

ATT-2



DRAWING MAY NOT CONFORM TO THE MOST CURRENT SPECIFICATION



Oldcastle Precast[®]

Northern California
 Madera ■ Morgan Hill ■ Pleasanton ■ Santa Rosa ■ Stockton ■ Tulare
 Phone: 925-750-6650 Fax: 925-750-6660

AT&T-2436
FILE NAME: ATT-2.DWG
REVISED: MARCH 2016
www.oldcastleprecast.com

2'-0" X 3'-0" X 2'-6" (I.D.)
 SPLICE BOX ASSEMBLY
 AT&T

Copyright © 2016 Oldcastle Precast, Inc.