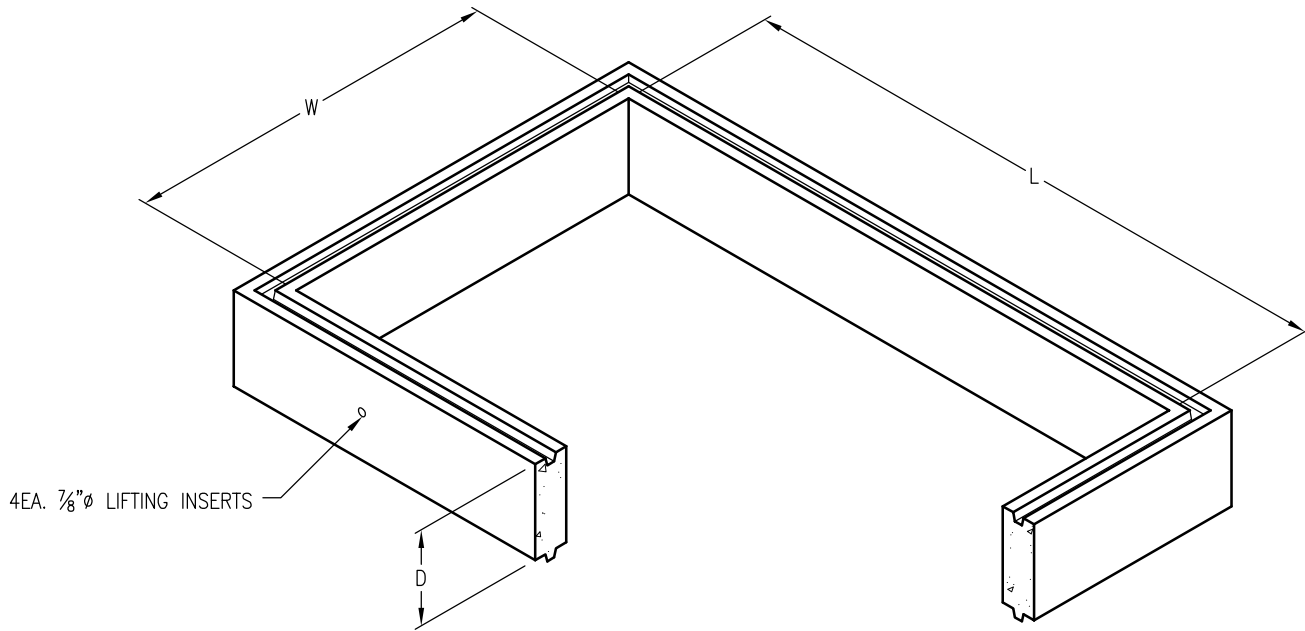


STANDARD AT&T RISERS

CATALOG NUMBER	W	L	D	WEIGHT	OUTSIDE DIMENSIONS	PID NO.
3 X 5 X 06"	3'-0"	5'-0"	0'-6"	505 LBS.	3'-9" X 5'-9"	000604082
3 X 5 X 12"	3'-0"	5'-0"	1'-0"	1,010 LBS.	3'-9" X 5'-9"	000604090
4 X 6-6 X 06"	4'-0"	6'-6"	0'-6"	810 LBS.	4'-11" X 7'-5"	000604033
4 X 6-6 X 12"	4'-0"	6'-6"	1'-0"	1,615 LBS.	4'-11" X 7'-5"	000604041
4 X 6-6 X 18"	4'-0"	6'-6"	1'-6"	2,420 LBS.	4'-11" X 7'-5"	000604058



DRAWING MAY NOT CONFORM TO THE MOST CURRENT SPECIFICATION



Oldcastle Precast[®]
Northern California
Madera ■ Morgan Hill ■ Pleasanton ■ Santa Rosa ■ Stockton ■ Tulare
Phone: 925-750-6650 Fax: 925-750-6660

AT&T-RISERS

FILE NAME: ATT-25.DWG

REVISED: MARCH 2016

www.oldcastleprecast.com

**VARIES (I.D.)
AT&T RISERS
AT&T**

Copyright © 2016 **Oldcastle** Precast, Inc.