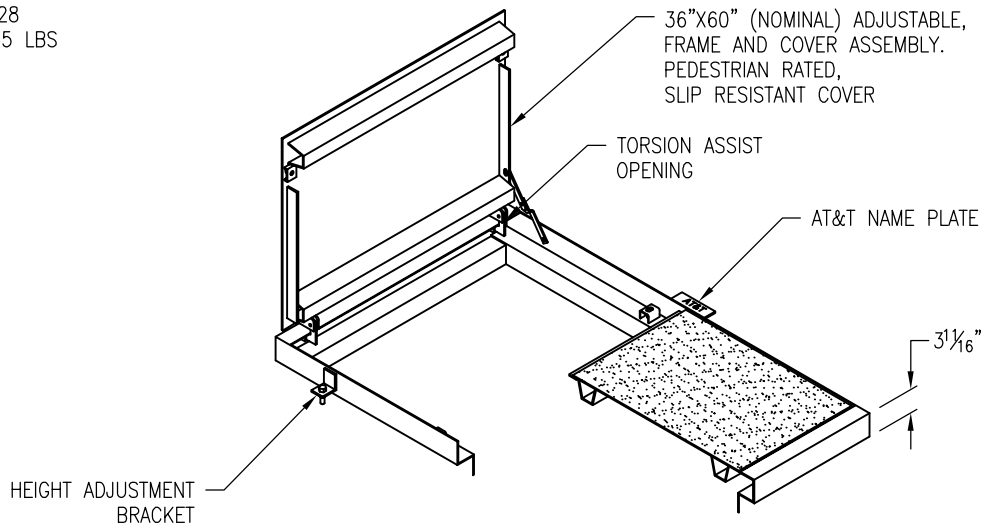
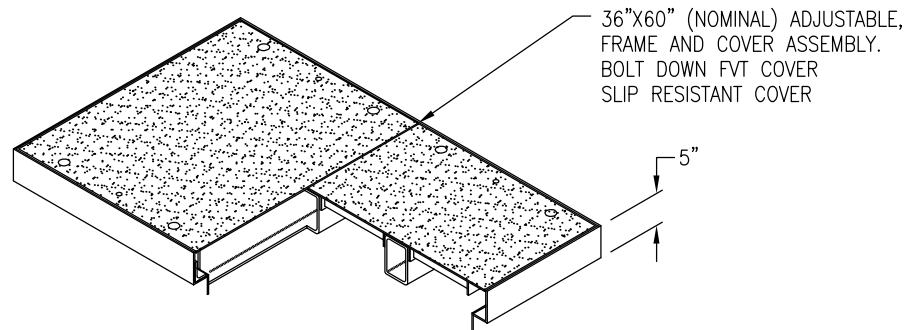
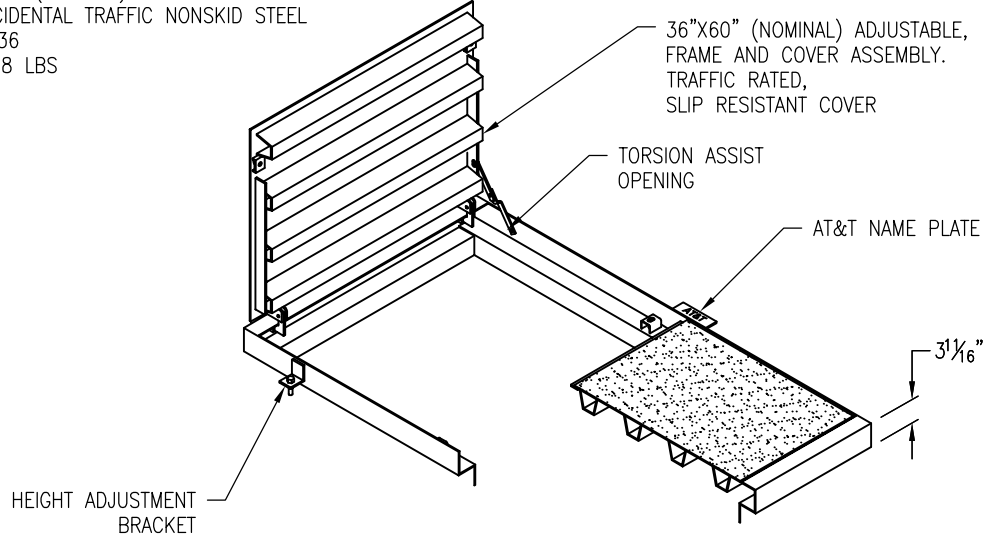


AT&T 3'-0" X 5'-0" (NOMINAL)
 COVER HINGED PARKWAY NONSKID STEEL
 PID NO.: 000602128
 COVER WEIGHT: 335 LBS



AT&T 3'-0" X 5'-0" (NOMINAL)
 COVER HINGED INCIDENTAL TRAFFIC NONSKID STEEL
 PID NO.: 000602136
 COVER WEIGHT: 418 LBS



AT&T 3'-0" X 5'-0" (NOMINAL)
 COVER BOLT DOWN FULL VEHICLE TRAFFIC NONSKID STEEL
 PID NO.: 000600361
 COVER WEIGHT: 588 LBS

DRAWING MAY NOT CONFORM TO THE MOST CURRENT SPECIFICATION



Oldcastle Precast[®]
 Northern California
 Madera ■ Morgan Hill ■ Pleasanton ■ Santa Rosa ■ Stockton ■ Tulare
 Phone: 925-750-6650 Fax: 925-750-6660

AT&T-3660 COVER
FILE NAME: ATT-27.DWG
REVISED: MARCH 2016
www.oldcastleprecast.com

**3'-0" X 5'-0" (I.D.)
 HINGED OR BOLT DOWN
 AT&T**