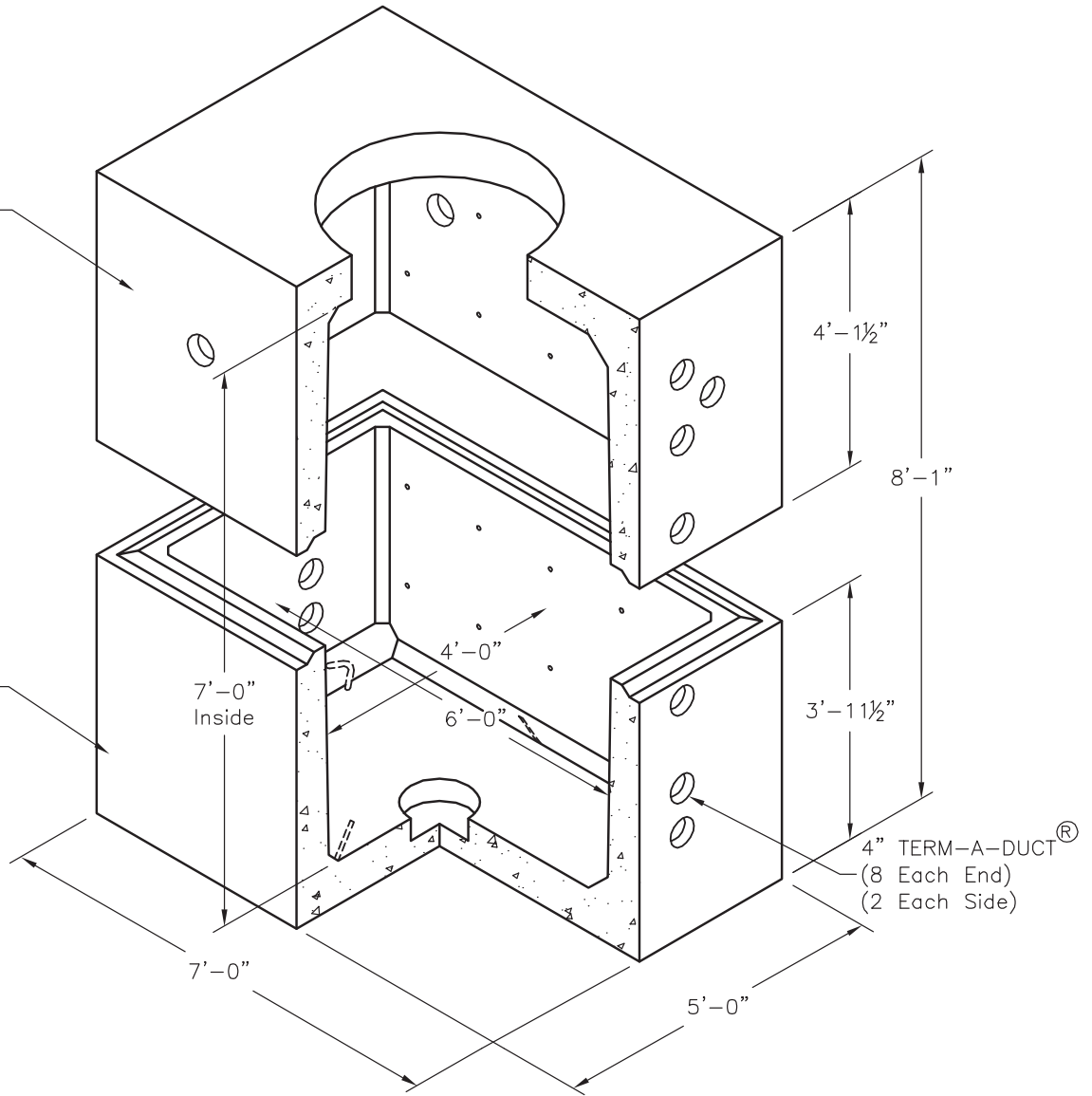


**TOP
NO. 467-T37C**
Concrete W/Hole
8,300 Lbs.

**BASE
NO. 467-BT**
8,900 Lbs.



OPTIONAL COVERS

(For available covers see Covers section)