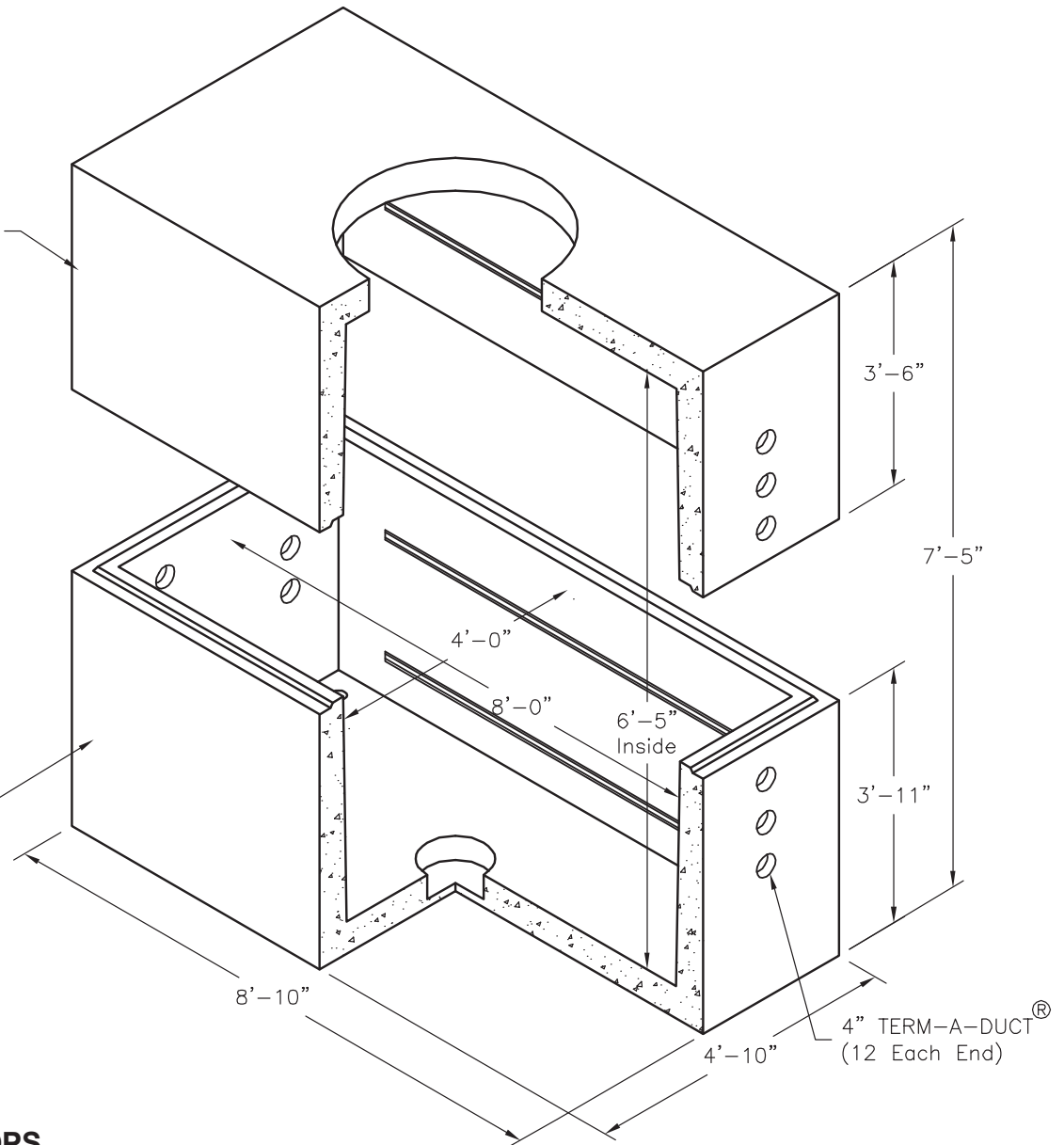


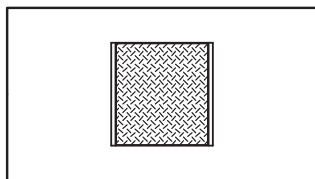
**TOP  
NO. 4866-T37C**  
Concrete W/Hole  
7,920 Lbs.

**BASE  
NO. 4866-BT**  
9,050 Lbs.

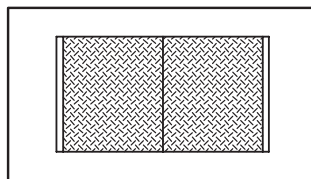


**OPTIONAL TOPS**

For available covers see Covers Section.



Locking Steel Cover  
No. 4866-332P  
8,055 lbs.



Locking Steel Cover  
No. 4866-3672  
7,590 lbs.