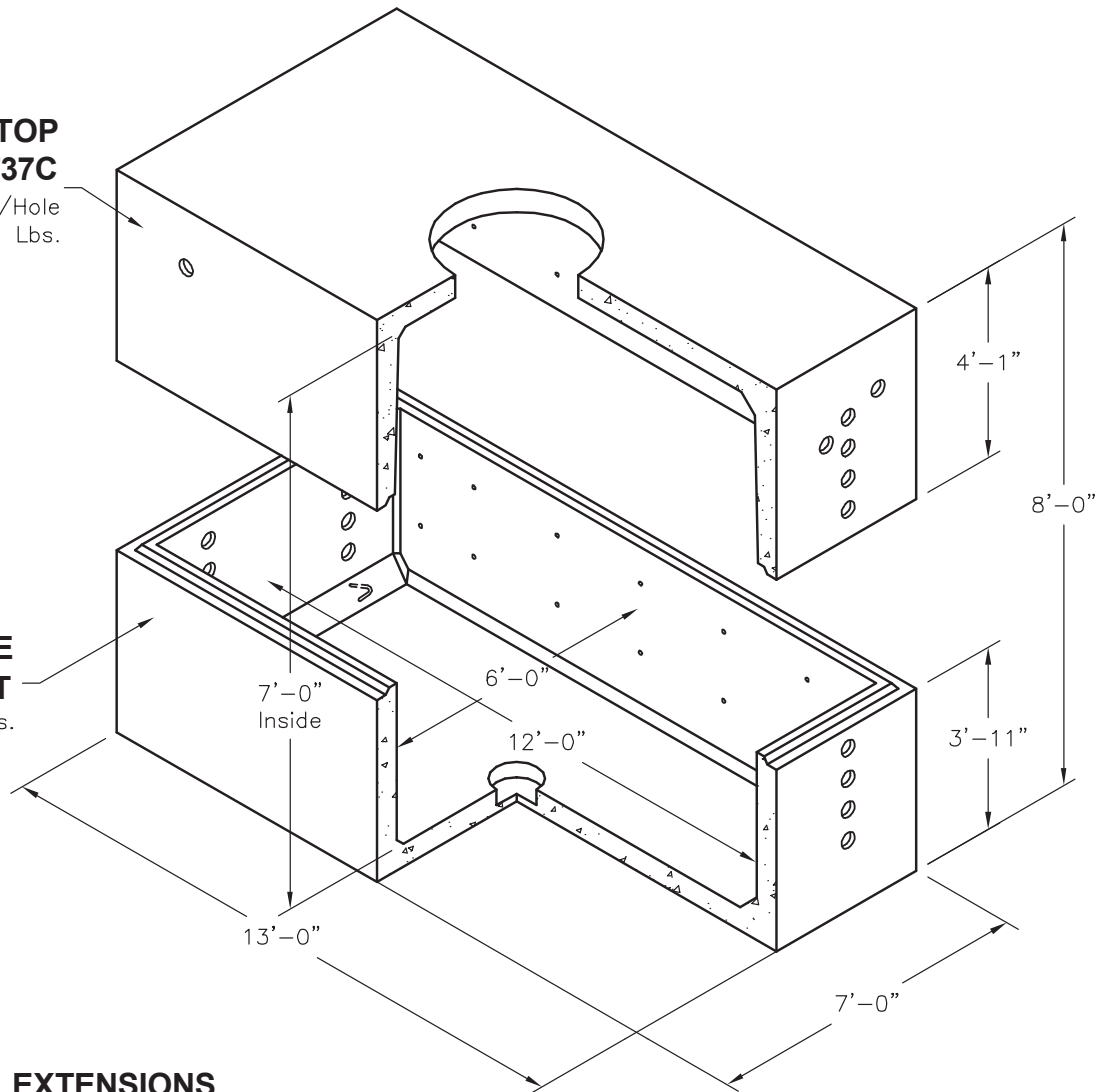


**TOP
NO. 612U-T37C**

Concrete W/Hole
15,300 Lbs.

**BASE
NO. 612U-BT**

16,600 Lbs.



OPTIONAL EXTENSIONS

(For available extensions see Extensions section)

OPTIONAL COVERS

(For available covers see Covers section)