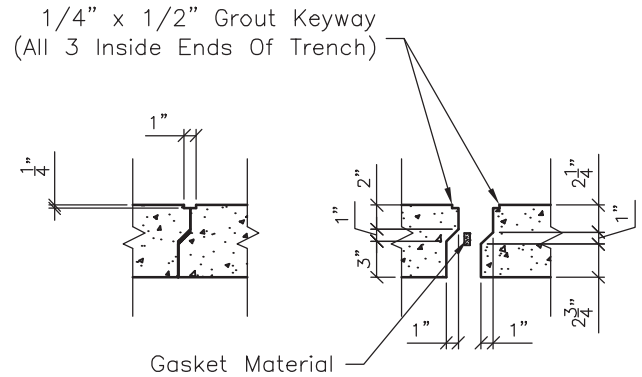
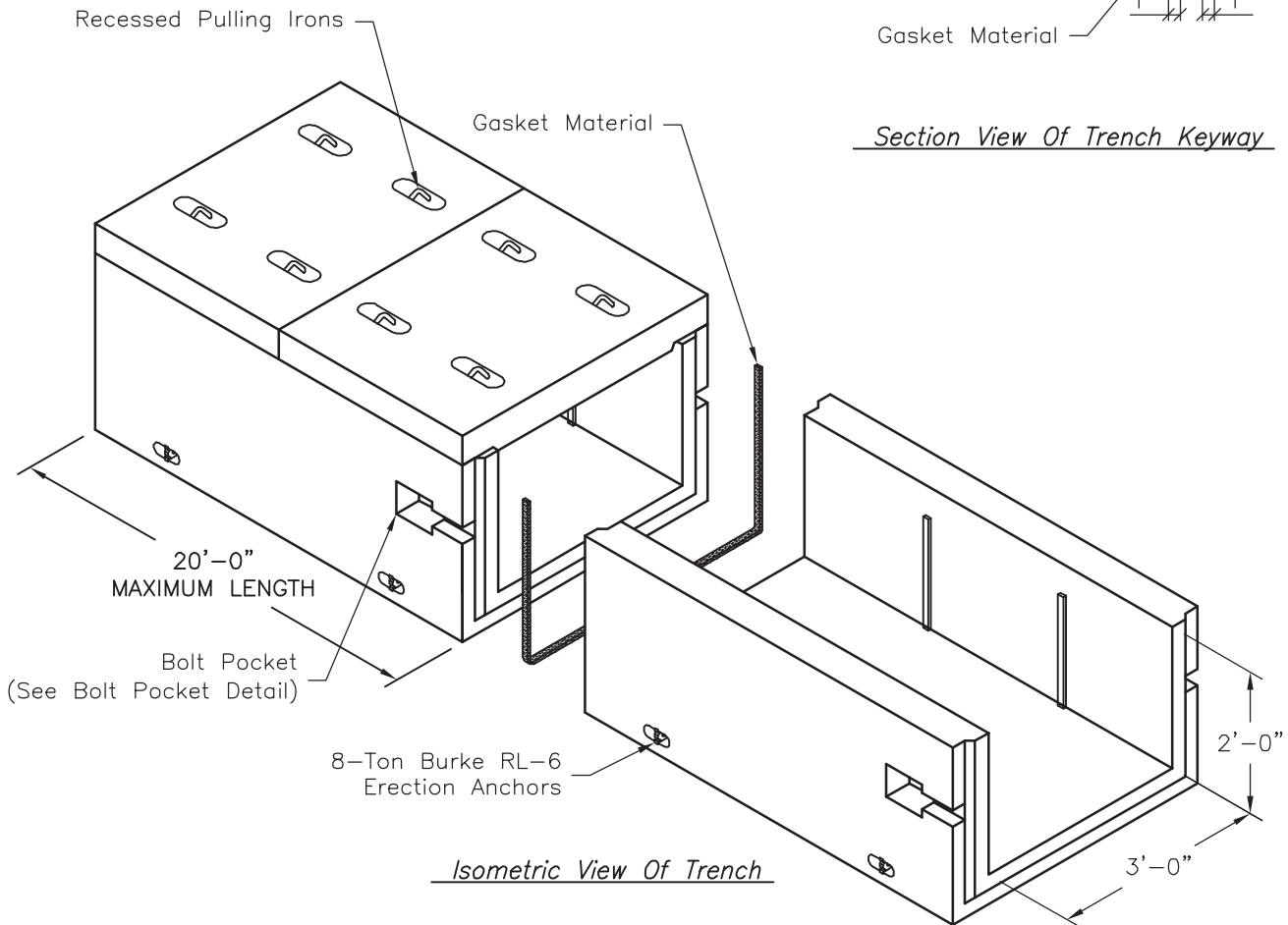


Bolt Pocket Detail



Section View Of Trench Keyway



Isometric View Of Trench