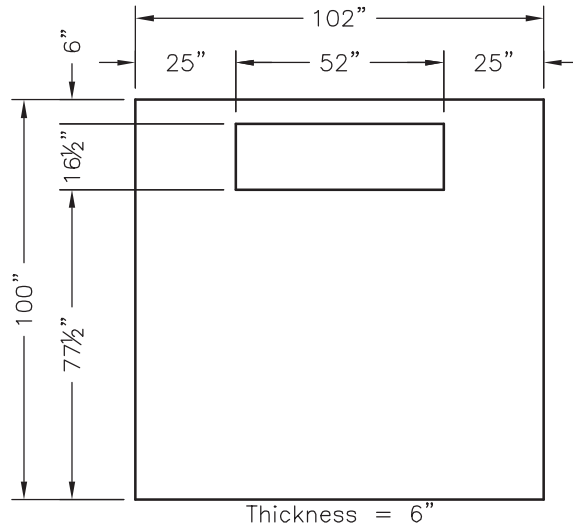


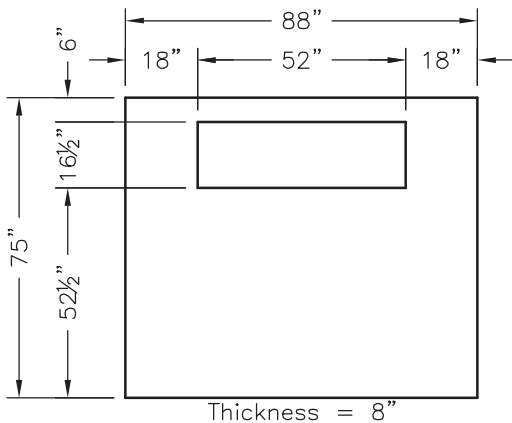
42 x 42
MS-7920

For Single Phase Transformers
25 KVA and 50 KVA
760 Lbs.



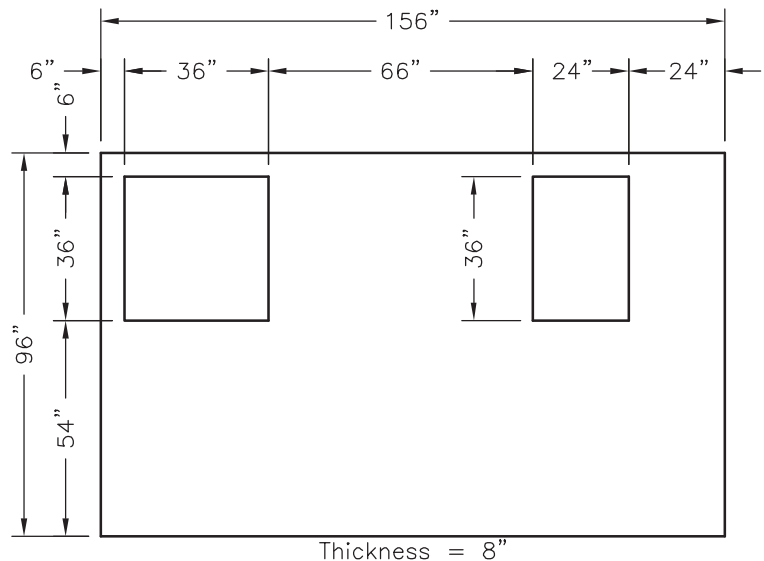
100 x 102
MS-7935

For Three-Phase Transformers
1000 KVA Thru 2500 KVA
4,870 Lbs.



75 x 88
MS-7933

For Three-Phase Transformers
112.5 KVA Thru 750 KVA
4,010 Lbs.



96 x 156
MS-7937

For Three-Phase
1000 KVA Thru 2000 KVA
Network Transformers
8,950 Lbs.