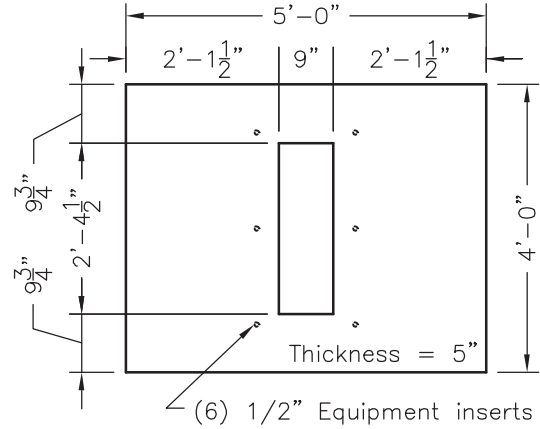
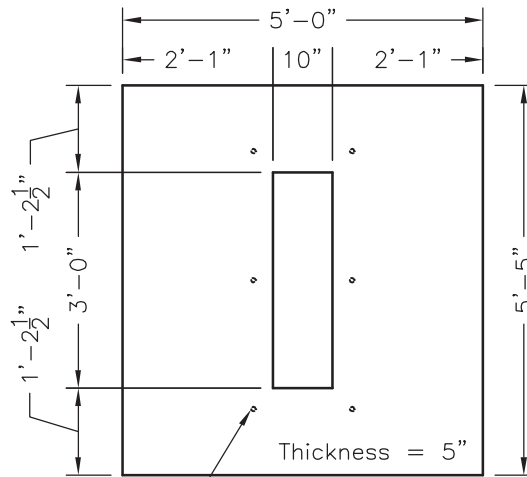


**4220-GSP/KSP**  
**P.I.D. #2334482**  
 1,460 Lbs.



**48 x 60**  
**P.I.D. #2308429**  
 1,150 Lbs.



**65 x 60**  
**P.I.D. #2308437**  
 1,550 Lbs.