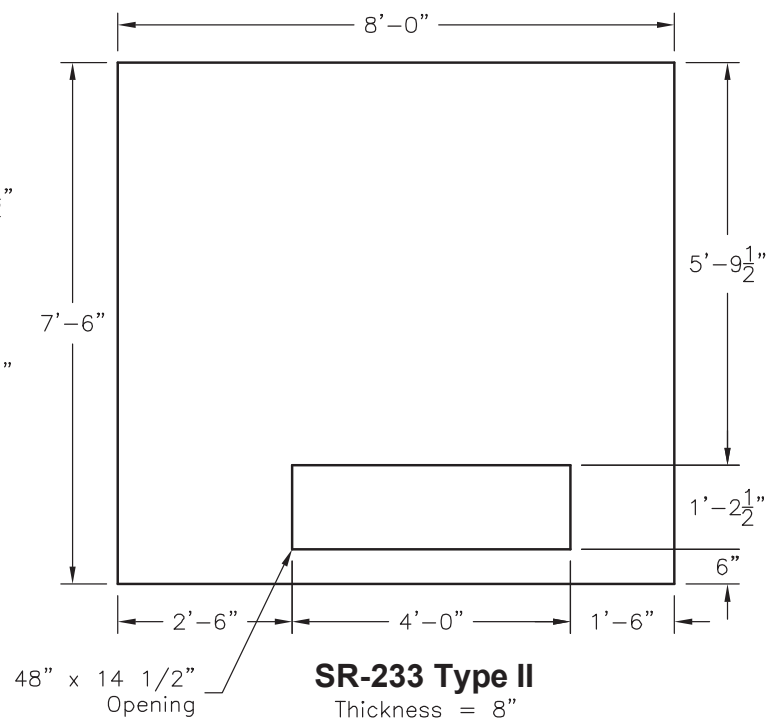


SR-233 Type I
Thickness = 8"
3,180 Lbs.



SR-233 Type II
Thickness = 8"
5,550 Lbs.