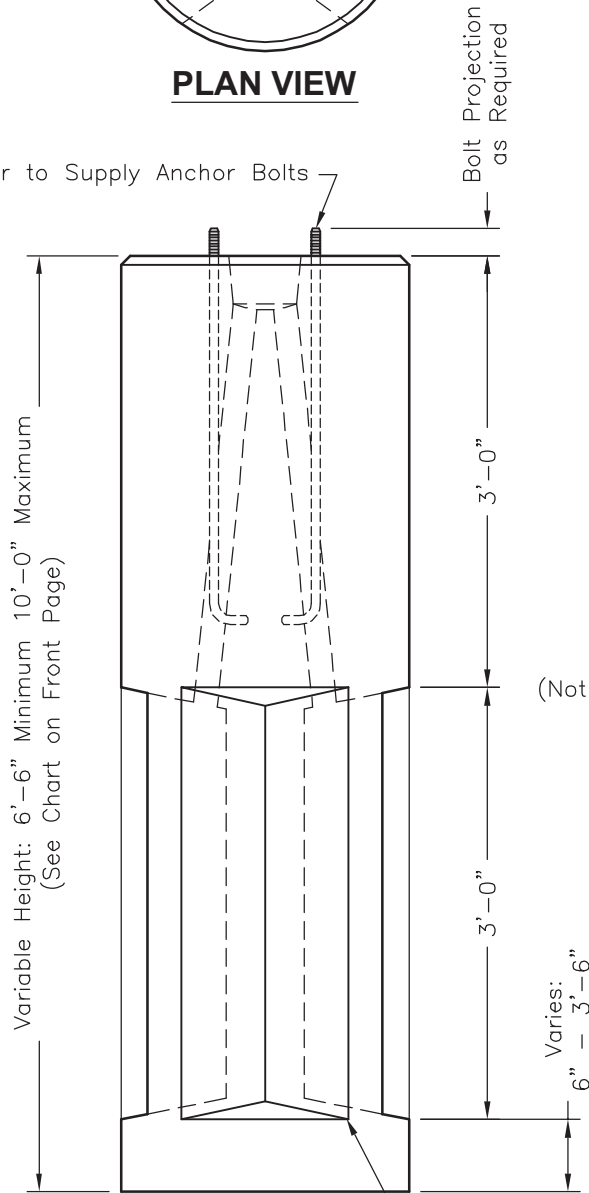


PLAN VIEW

Customer to Supply Anchor Bolts

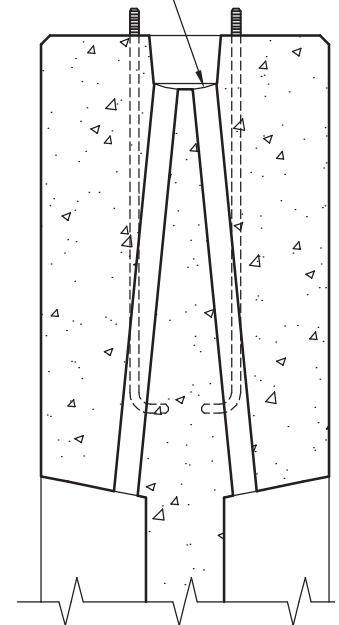


SIDE VIEW

7'-0" Base Shown

Note:
Lamp pole footing is set using lift plate secured to anchor bolt with nut. (2 Places)

2" Dia. PVC Pipe
(4 Places)
(Not Intended to be Non-Metallic Conduit)



SECTION AA

ockout