

**COVER**  
**NO. 57-3660**

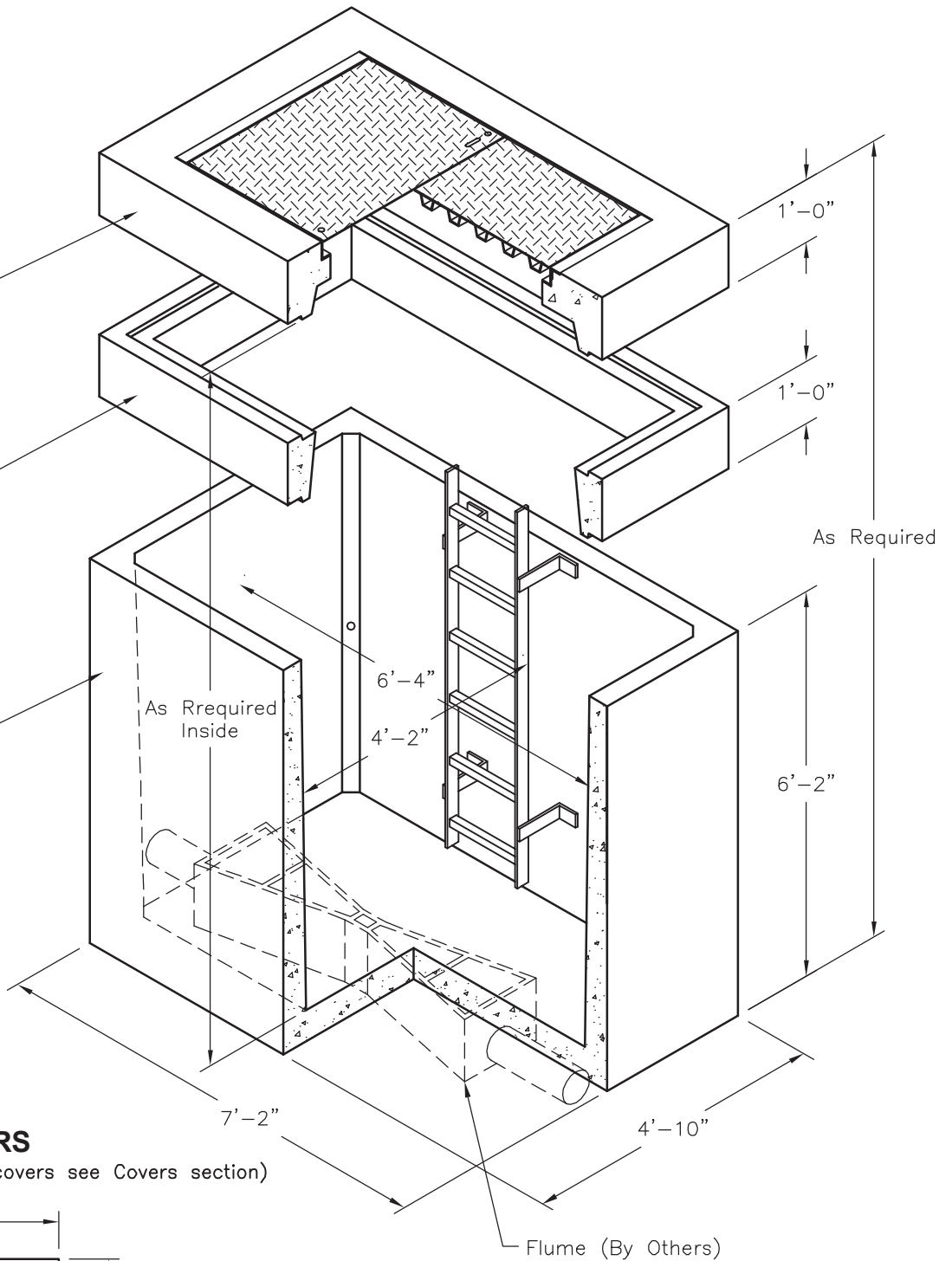
Solid Concrete  
 2,500 lbs.

**RISERS**  
**NO. 57-R12**

(As Required)  
 3,350 lbs.

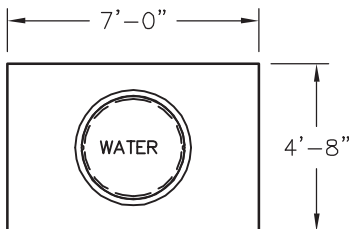
**BASE**  
**NO. 577-BL**

8,240 lbs.



**OPTIONAL COVERS**

(For other available covers see Covers section)



Cast Iron Frame and Cover  
 No. 57-32CI  
 3,650 lbs.

**NOTES:**

Custom heights available.  
 577 vault shown – other vaults may also be used.