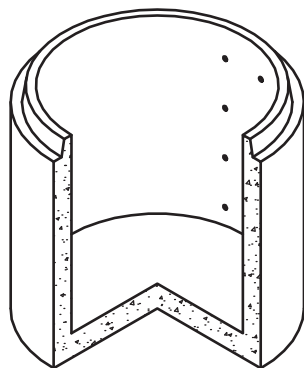


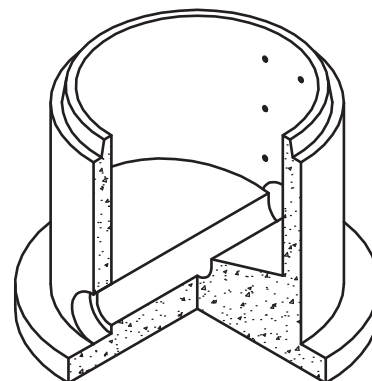
**OPTIONAL COATINGS**



**OPTIONAL BASES**



**48" MANHOLE BASE**



**48" BASE WITH INVERT AND ANTI FLOATATION**