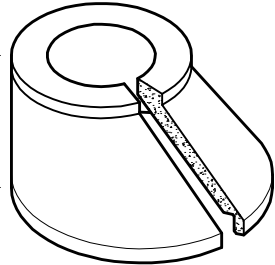
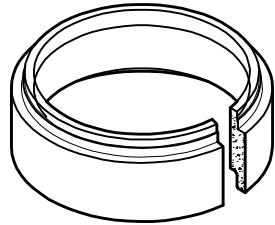


382SMH7DIATR
7' - 4' DIAMETER TRANSITION MANHOLE

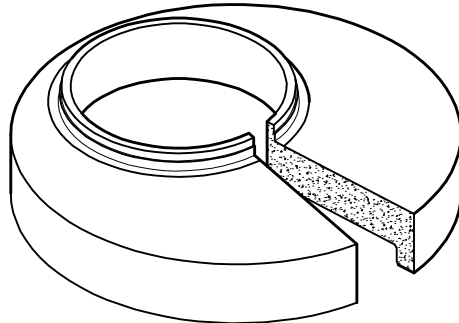
↓
24", 30", & 36"
Concentric or
Eccentric Conical
(42" in Con. Only)
↑



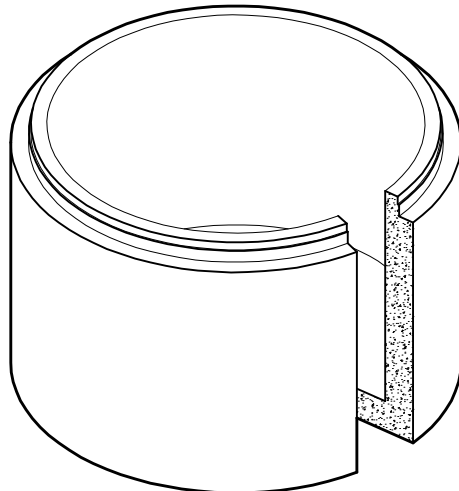
4' Dia. Conical



4' Dia. Riser



7' Dia. Transition Slab



7' Dia. Base



www.oldcastle-precast.com
5900 East Division Street
Lebanon, Tennessee 37090

Phone (615) 453-6111
Fax (615) 453-6080

**ITEMS ARE SUBJECT TO CHANGE WITHOUT NOTICE.
FOR DETAILS SEE REVERSE SIDE.**