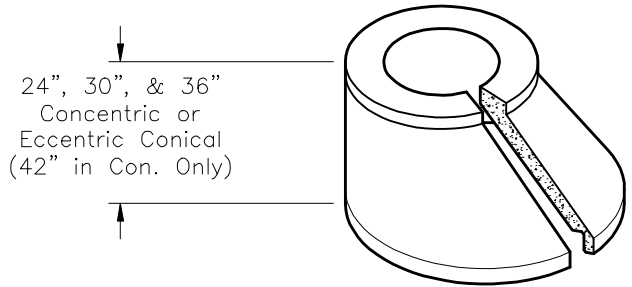
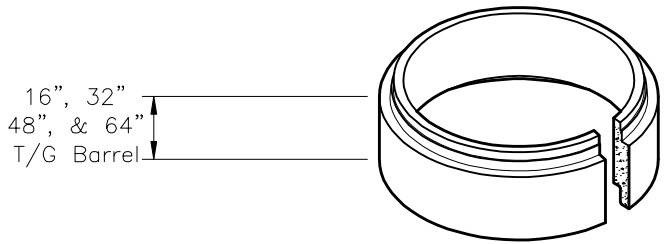


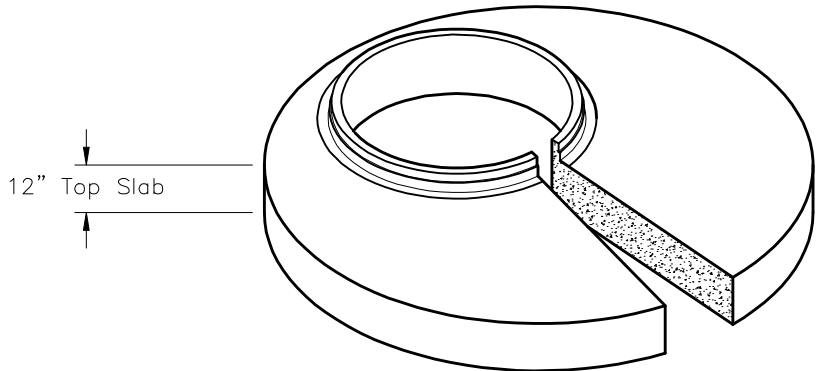
382SMH8DIATR
8' - 4' DIAMETER TRANSITION MANHOLE



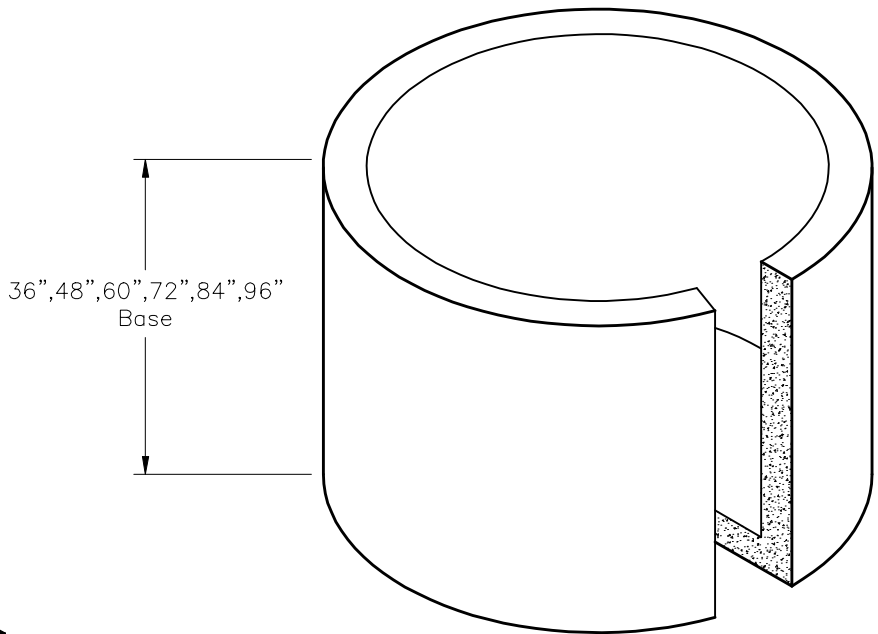
4' Dia. Conical



4' Dia. Riser



8' Dia. Transition Slab



8' Dia. Base



www.oldcastle-precast.com
 5900 East Division Street
 Lebanon, Tennessee 37090

Phone (615) 453-6111
 Fax (615) 453-6080

**ITEMS ARE SUBJECT TO CHANGE WITHOUT NOTICE.
 FOR DETAILS SEE REVERSE SIDE.**