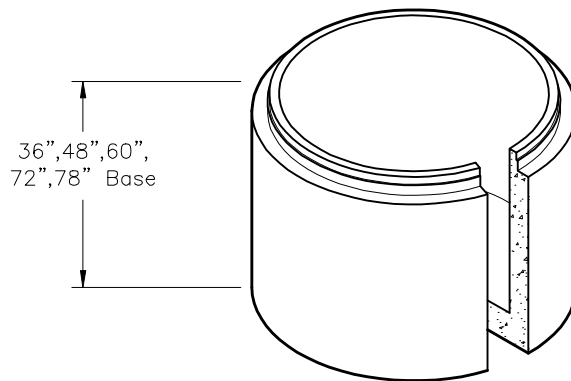
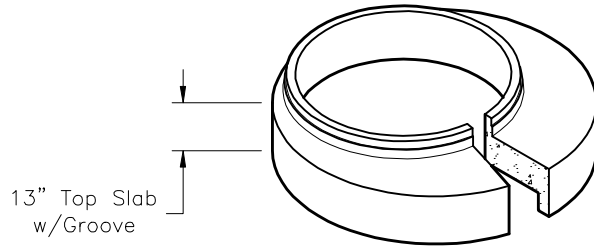
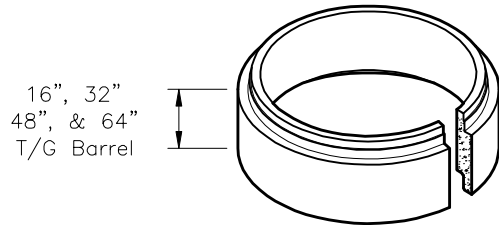
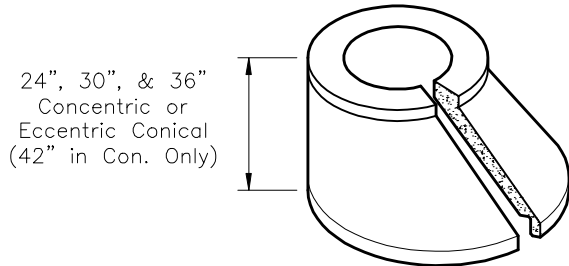


**382SMH5DIATR**  
**5' - 4' DIAMETER TRANSITION MANHOLE**



www.oldcastle-precast.com

5900 East Division Street  
 Lebanon, Tennessee 37090

Phone (615) 453-6111  
 Fax (615) 453-6080

**ITEMS ARE SUBJECT TO CHANGE WITHOUT NOTICE.  
 FOR DETAILS SEE REVERSE SIDE.**