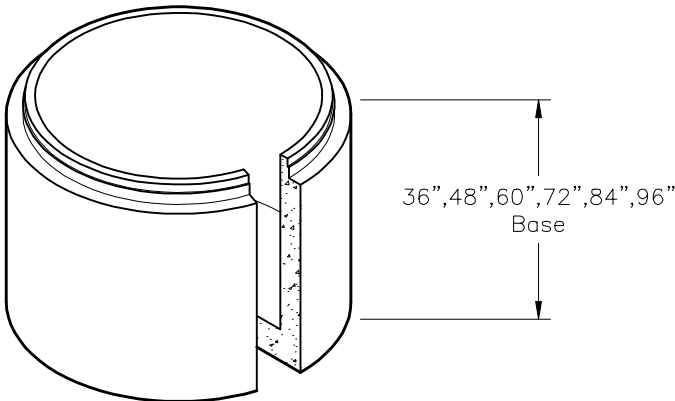
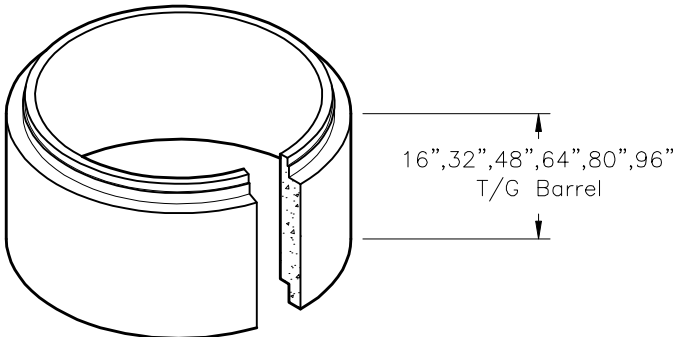
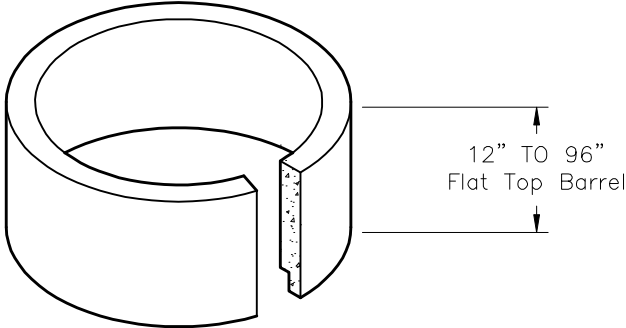
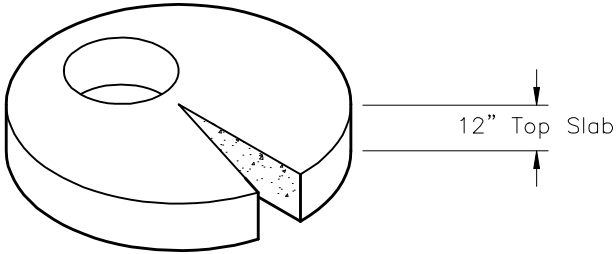


**382SMH8DIAM**  
**8' DIAMETER MANHOLE**  
**MONOLITHIC BASE**



[www.oldcastle-precast.com](http://www.oldcastle-precast.com)

5900 East Division Street  
Lebanon, Tennessee 37090

Phone (615) 453-6111  
Fax (615) 453-6080

**ITEMS ARE SUBJECT TO CHANGE WITHOUT NOTICE.**  
**FOR DETAILS SEE REVERSE SIDE.**