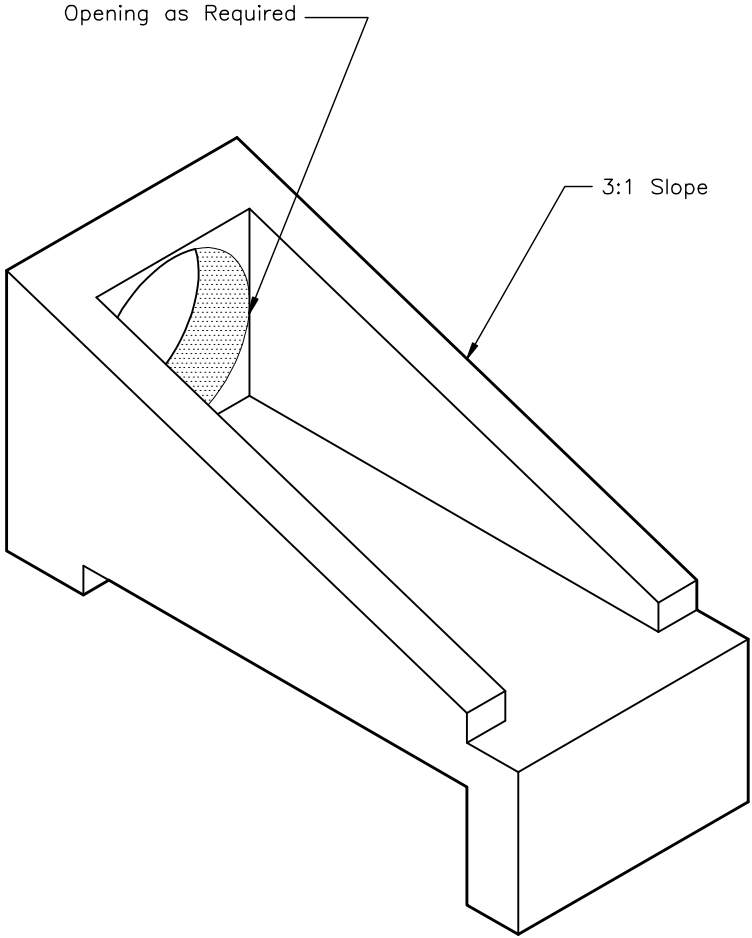


**382STMDPE3B151824**  
**D-PE-3B State Endwall for 15, 18, & 24**



**Oldcastle® Precast, Inc.**

www.oldcastle-precast.com  
5900 East Division Street  
Lebanon, Tennessee 37090

Phone (615) 453-6111  
Fax (615) 453-6080

**ITEMS ARE SUBJECT TO CHANGE WITHOUT NOTICE.  
FOR DETAILS SEE REVERSE SIDE.**