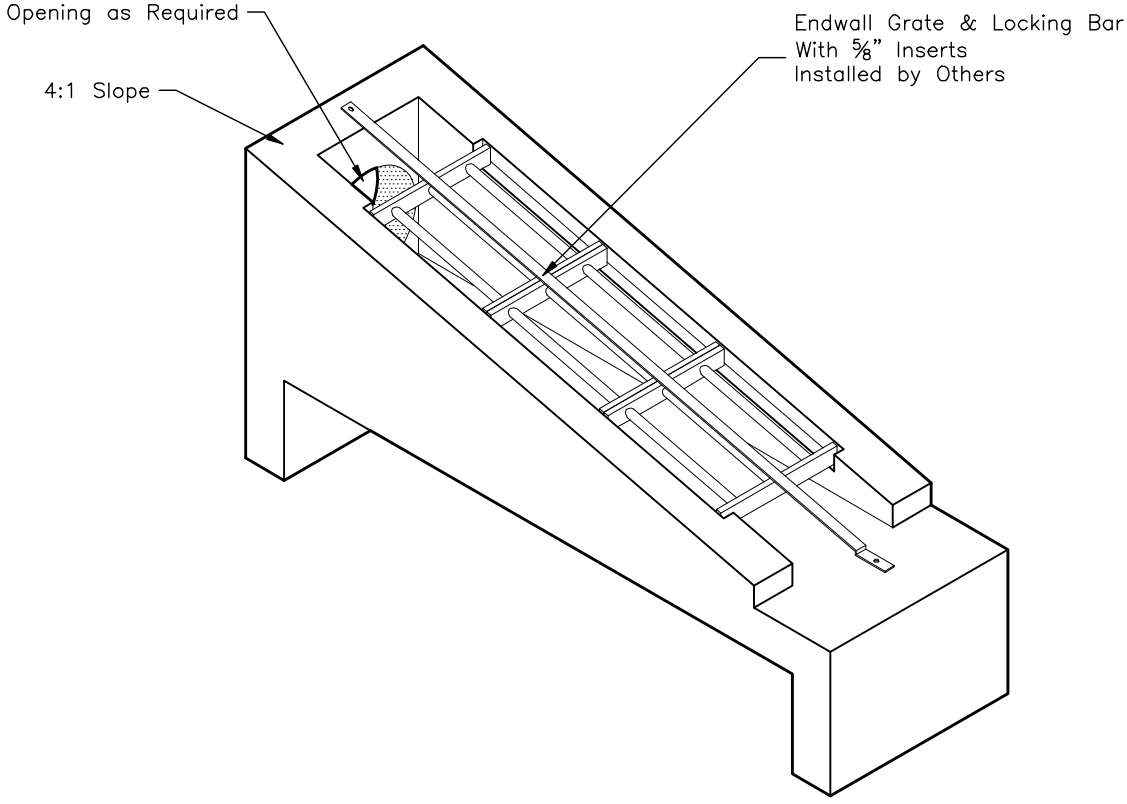


**382STMDPE4U18**  
**D-PE-4U State Endwall for 18**



www.oldcastle-precast.com  
5900 East Division Street Phone (615) 453-6111  
Lebanon, Tennessee 37090 Fax (615) 453-6080

**ITEMS ARE SUBJECT TO CHANGE WITHOUT NOTICE.**  
**FOR DETAILS SEE REVERSE SIDE.**