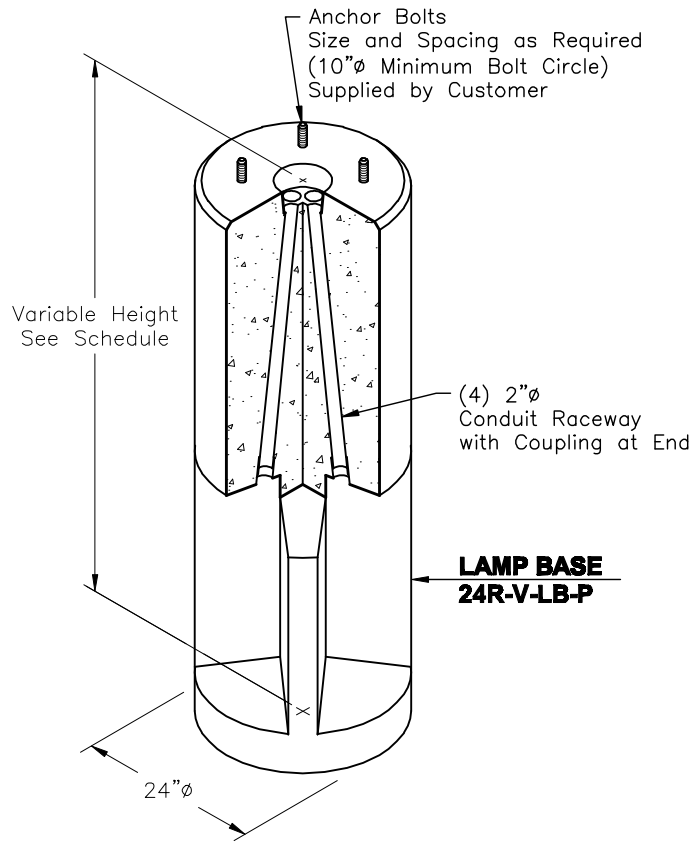


**382UEF24RVLBP
PRECAST FOOTING
FOR LAMP BASE**



| 24R-V-LB-P SCHEDULE | | |
|----------------------------|--------|------------|
| Model No. | Height | Weight |
| 24R-5-LB-P | 5'-0" | 1,610 lbs. |
| 24R-6-LB-P | 6'-0" | 2,140 lbs. |
| 24R-7-LB-P | 7'-0" | 2,610 lbs. |
| 24R-8-LB-P | 8'-0" | 3,080 lbs. |
| 24R-9-LB-P | 9'-0" | 3,550 lbs. |

Oldcastle® Precast, Inc.
www.oldcastle-precast.com

5900 East Division Street Phone (615) 453-6111
Lebanon, Tennessee 37090 Fax (615) 453-6080

**ITEMS ARE SUBJECT TO CHANGE WITHOUT NOTICE.
FOR DETAILS SEE REVERSE SIDE.**