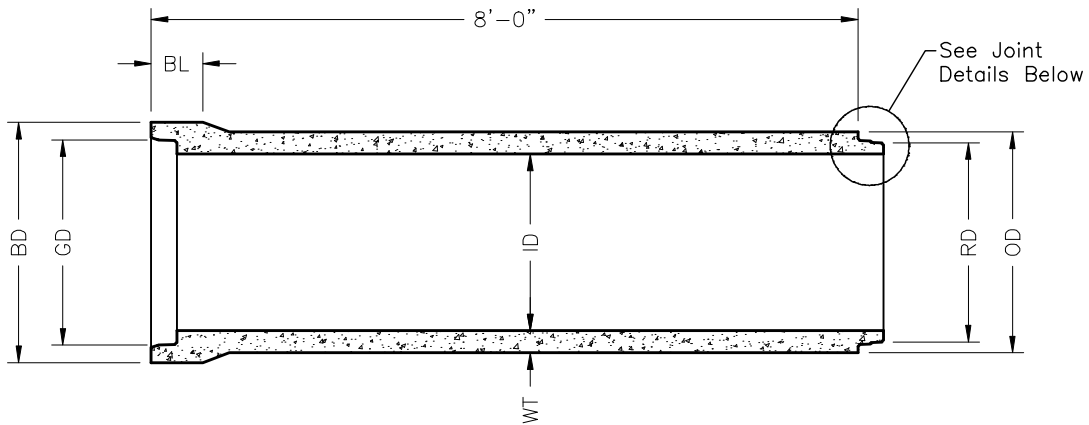
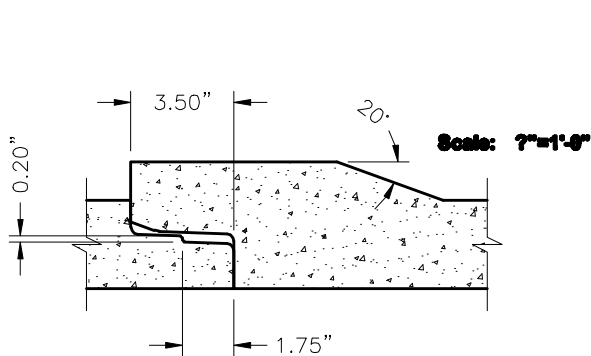


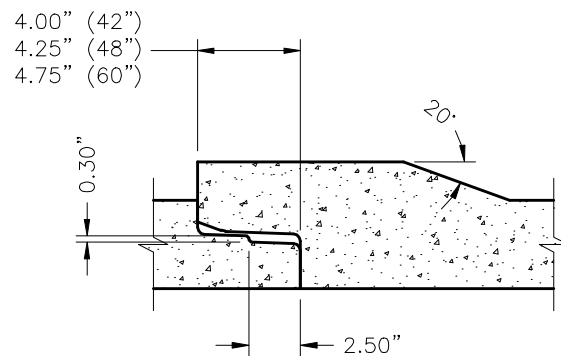
382RCP1560RO ROUND REINFORCED CONCRETE PIPE



RCP Dimensions						
ID	WT	OD	BD	BL	GD	RD
15"	2.25"	19.50"	23.125"	6.50"	18.709"	18.179"
18"	2.50"	23.00"	26.625"	6.50"	21.709"	21.179"
24"	3.00"	30.00"	32.625"	7.00"	27.709"	27.179"
30"	3.50"	37.00"	39.50"	7.00"	34.00"	33.470"
36"	4.00"	44.00"	45.625"	7.00"	40.00"	39.470"
42"	4.50"	51.00"	52.650"	8.00"	46.281"	45.564"
48"	5.00"	58.00"	59.625"	8.00"	52.887"	52.170"
60"	6.00"	72.00"	75.625"	8.00"	65.096"	64.379"



**15" - 36" Diameter
Joint Detail**



**42" - 60" Diameter Joint
Detail**



www.oldcastle-precast.com
 5900 East Division Street Phone (615) 453-6111
 Lebanon, Tennessee 37090 Fax (615) 453-6080

ITEMS ARE SUBJECT TO CHANGE WITHOUT NOTICE.