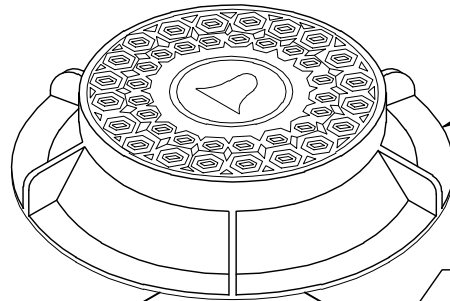


382UTT44SpBell
BELL SOUTH PULLBOX

B-30 or G-30

Wt. 760 Lbs



1/2"Ø Insert for Racking
(Typical of 4 Each Wall)

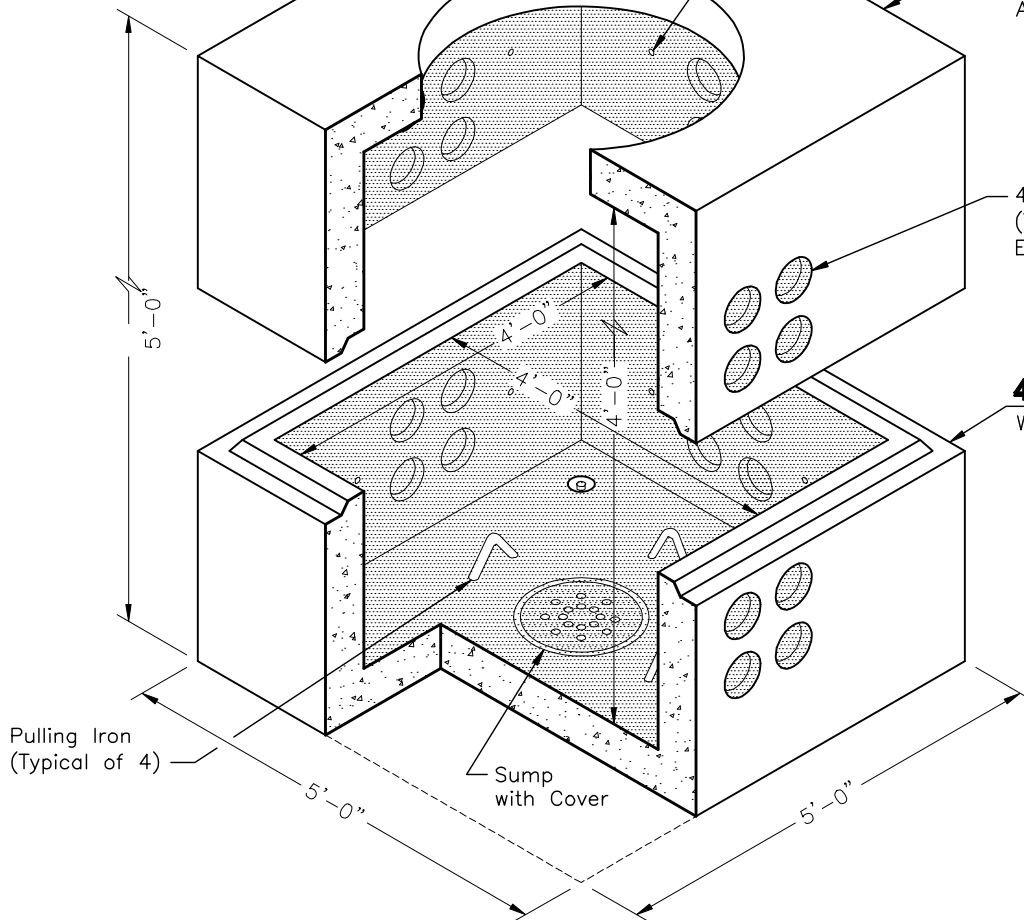
4424-BS TOP

Wt. 4,100 Lbs
with 36"Ø
Access Opening

4"Ø Term-A-Duct
(Typical of 8
Each Wall)

4424-BS BASE

Wt. 4,600 Lbs



www.oldcastle-precast.com

5900 East Division Street Phone (615) 453-6111
Lebanon, Tennessee 37090 Fax (615) 453-6080

**ITEMS ARE SUBJECT TO CHANGE WITHOUT NOTICE.
FOR DETAILS SEE REVERSE SIDE.**