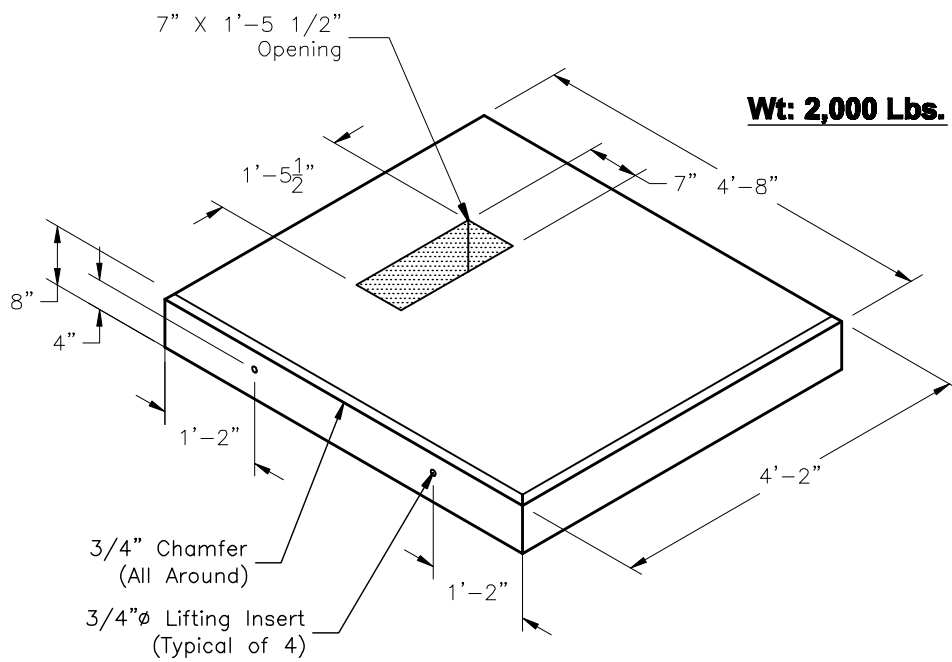


**382UET5056EP
EQUIPMENT PAD**



Scale: 1/2"=1'-0"

 **Oldcastle® Precast, Inc.**

www.oldcastle-precast.com

5900 East Division Street Phone (615) 453-6111
Lebanon, Tennessee 37090 Fax (615) 453-6080

**ITEMS ARE SUBJECT TO CHANGE WITHOUT NOTICE.
FOR DETAILS SEE REVERSE SIDE.**

Issue: January 2008