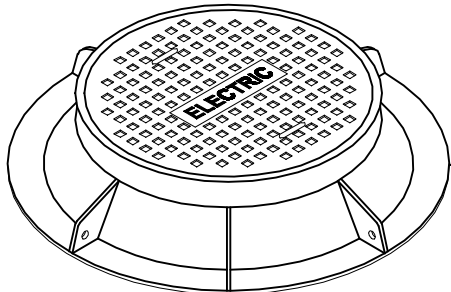
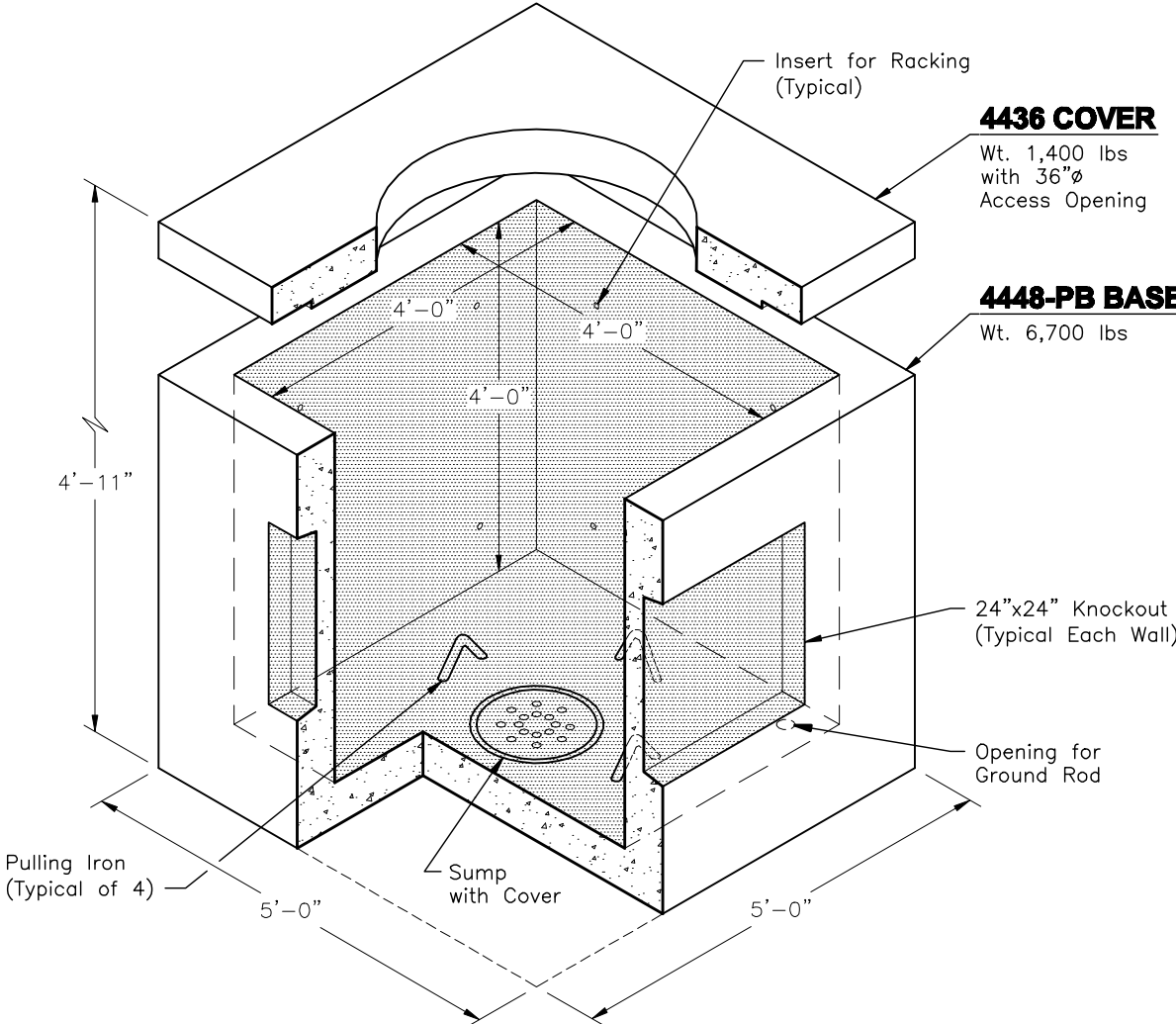


382UEP444PB



EJW 1825

Wt. 770 lbs
(Specify Lettering)



4436 COVER

Wt. 1,400 lbs
with 36" ϕ
Access Opening

4448-PB BASE

Wt. 6,700 lbs



Oldcastle Precast, Inc.
www.oldcastle-precast.com
5900 East Division Street Phone (615) 453-6111
Lebanon, Tennessee 37090 Fax (615) 453-6080

**ITEMS ARE SUBJECT TO CHANGE WITHOUT NOTICE.
FOR DETAILS SEE REVERSE SIDE.**