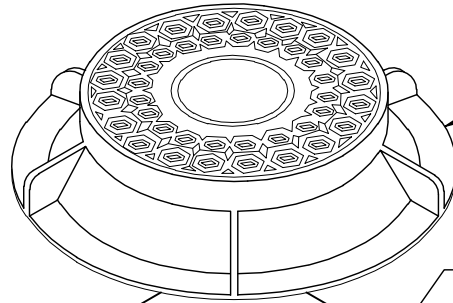


**382UTT44PBBell  
SPLIT PULLBOX**

**B-30 or G-30**

Wt. 760 Lbs



1/2"φ Insert for Racking  
(Typical of 4 Each Wall)

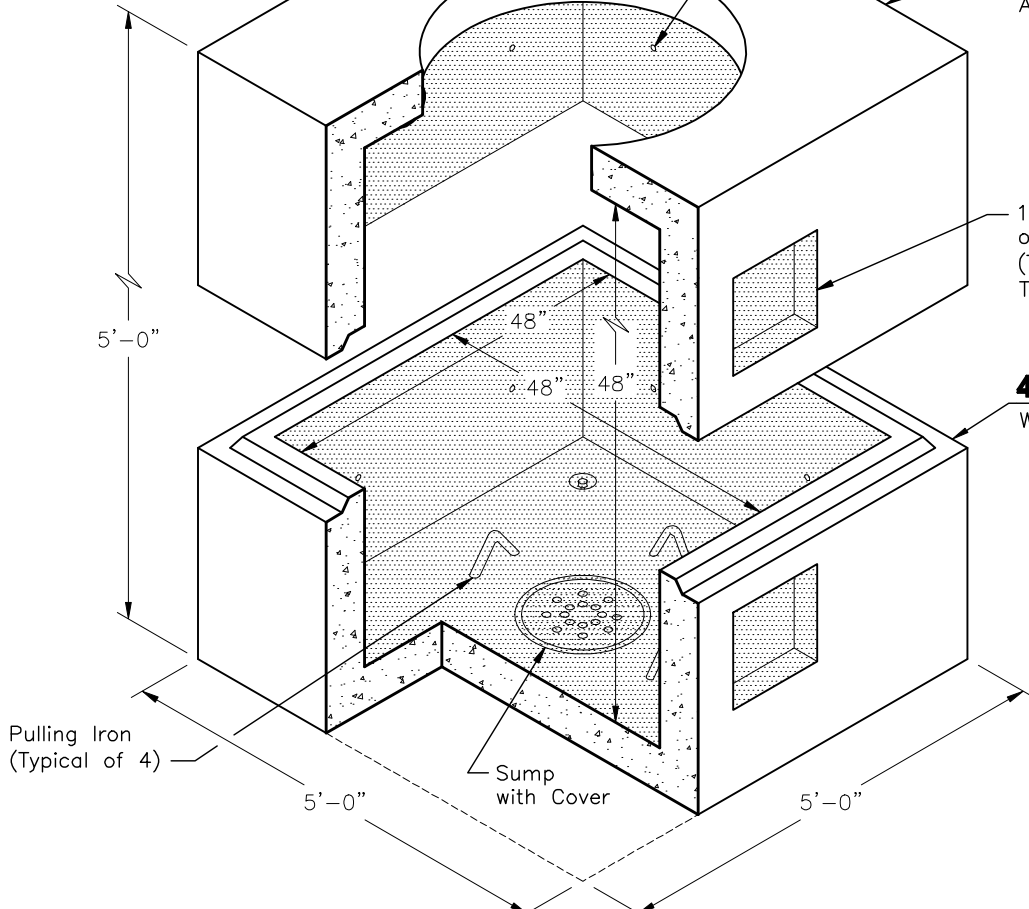
**4424-BS TOP**

Wt. 4,100 Lbs  
with 36"φ  
Access Opening

12"x12" Knockout  
or Term-A-Ducts  
(Typical Each Wall  
Top and Base)

**4424-BS BASE**

Wt. 4,600 Lbs



[www.oldcastle-precast.com](http://www.oldcastle-precast.com)

5900 East Division Street  
Lebanon, Tennessee 37090

Phone (615) 453-6111  
Fax (615) 453-6080

**ITEMS ARE SUBJECT TO CHANGE WITHOUT NOTICE.  
FOR DETAILS SEE REVERSE SIDE.**