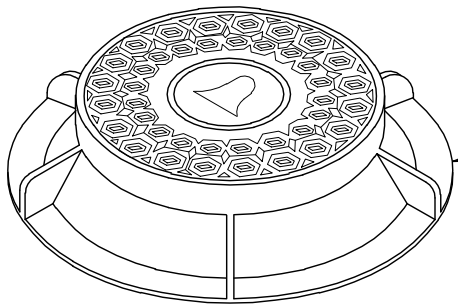
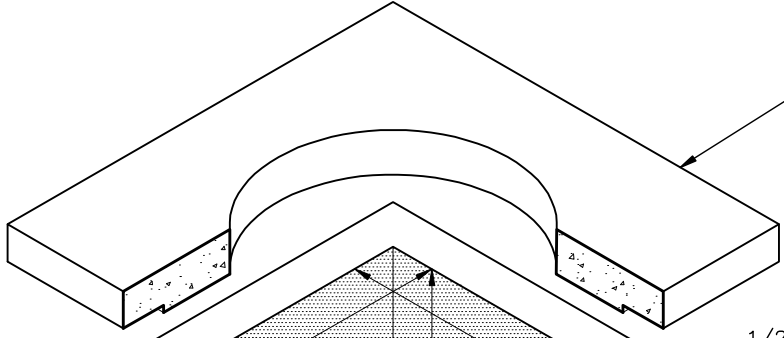


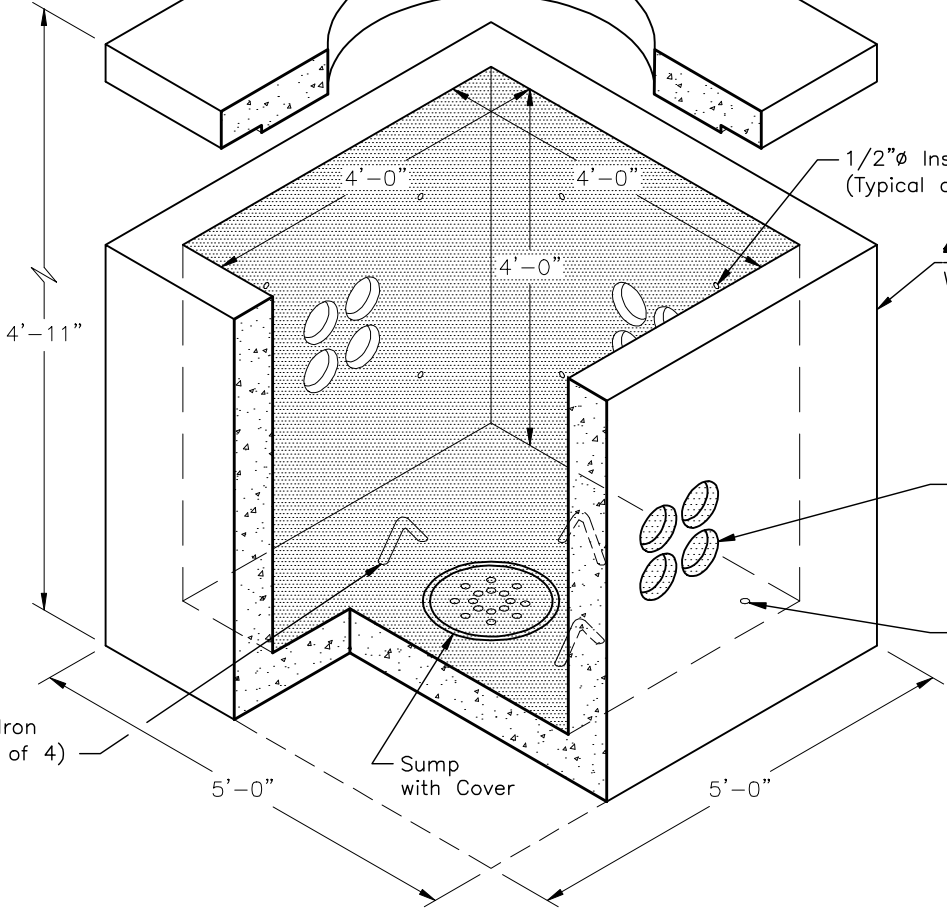
**382UTT44Bell
BELL SOUTH PULLBOX**



B-30 or G-30
Wt. 760 Lbs



4436 COVER
Wt. 1,400 Lbs
with 36"Ø
Access Opening



1/2"Ø Insert for Racking
(Typical of 4 Each Wall)

4448-BS BASE
Wt. 7,200 Lbs

4"Ø Term-A-Duct
(Typical of 4
Each Wall)

1"Ø Ground
Rod Hole

Pulling Iron
(Typical of 4)

Sump
with Cover



www.oldcastle-precast.com
5900 East Division Street Phone (615) 453-6111
Lebanon, Tennessee 37090 Fax (615) 453-6080

**ITEMS ARE SUBJECT TO CHANGE WITHOUT NOTICE.
FOR DETAILS SEE REVERSE SIDE.**