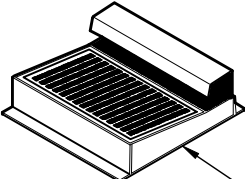
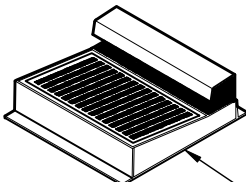


**382STM77CB**  
**7'-0"x7'-0" CATCH BASIN**

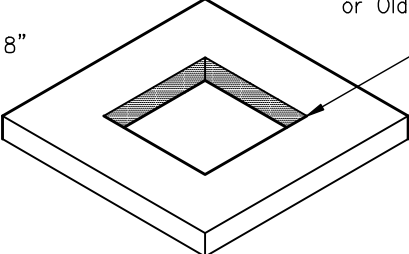


Castings to be Supplied by Others or Oldcastle

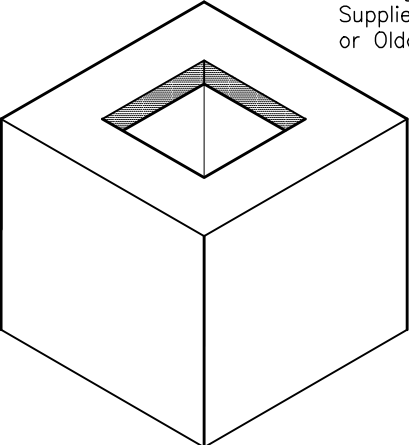


Castings to be Supplied by Others or Oldcastle

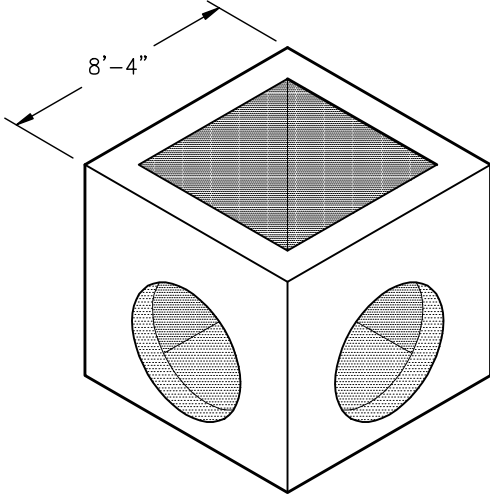
8"



Opening As Req'd To Match Casting

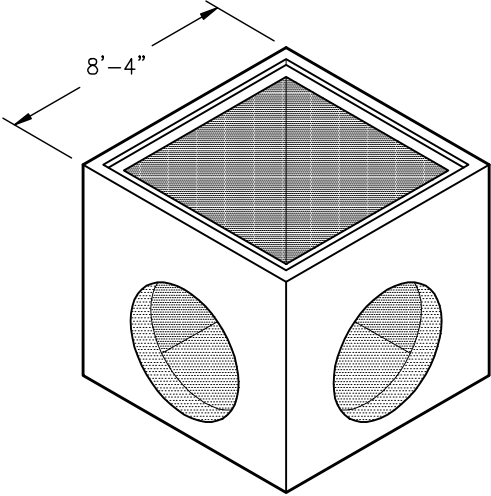


As Required  
4'-6" Max



8'-4"

As Required  
4'-6" Max



8'-4"

As Required  
4'-6" Max



www.oldcastle-precast.com  
 5900 East Division Street  
 Lebanon, Tennessee 37090

Phone (615) 453-6111  
 Fax (615) 453-6080

**ITEMS ARE SUBJECT TO CHANGE WITHOUT NOTICE.  
 FOR DETAILS SEE REVERSE SIDE.**