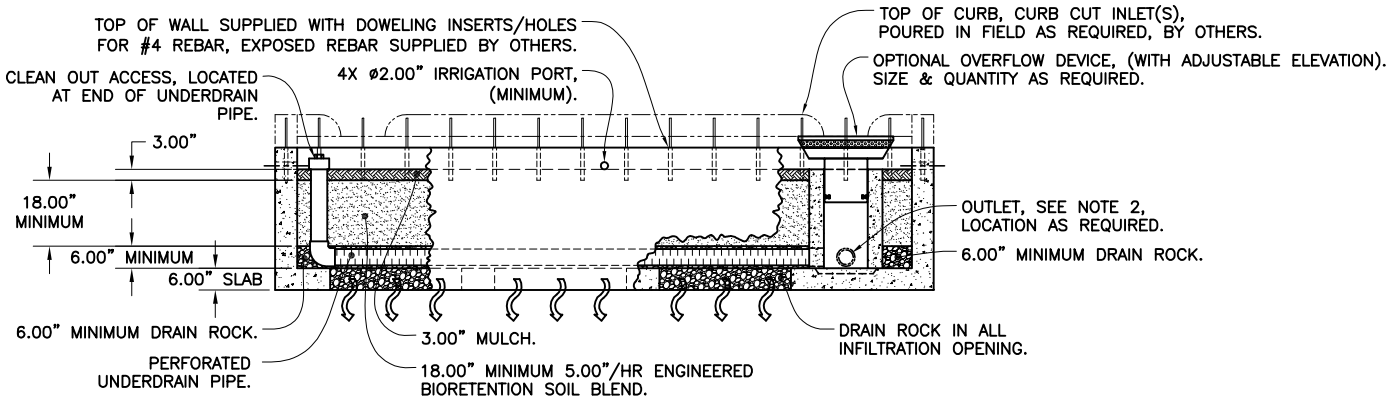


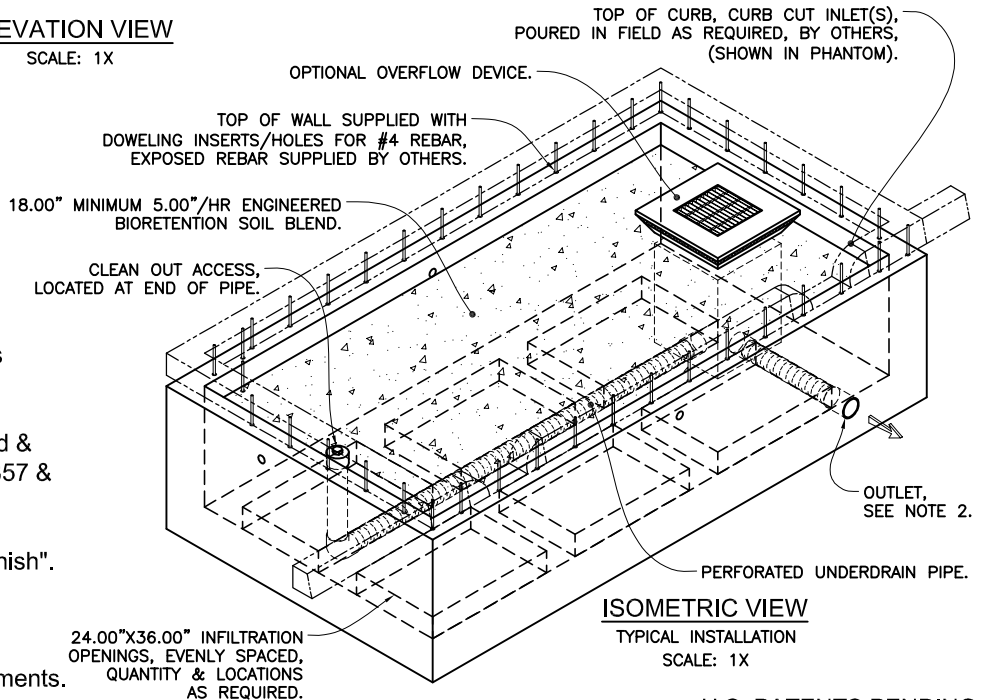
PLAN VIEW
SCALE: 1X



ELEVATION VIEW
SCALE: 1X

NOTES:

1. Treatment Flow Rate & maximum pick weights vary with size.
2. PVC outlet cast monolithic. adaptors/angles & external piping by others.
3. BioMod® bioretention systems are designed & manufactured in accordance with ASTM C857 & C858.
4. All exterior surfaces supplied with "Form Finish". decorative & alternate surfaces by others.
5. Engineered bioretention soil blend may be substituted to meet local regulatory requirements.



ISOMETRIC VIEW
TYPICAL INSTALLATION
SCALE: 1X

U.S. PATENTS PENDING.



BioMod®
Modular Bioretention System
for Infiltration Applications



Oldcastle®
Stormwater Solutions

7921 Southpark Plaza, Suite 200 | Littleton, CO | 80120 | Ph: 800.579.8819 | oldcastlestormwater.com
THIS DOCUMENT IS THE PROPERTY OF OLDCASTLE PRECAST, INC. IT IS SUBMITTED FOR REFERENCE PURPOSES ONLY AND SHALL NOT BE USED IN ANY WAY INJURIOUS TO THE INTERESTS OF SAID COMPANY. COPYRIGHT © 2010 OLDCASTLE PRECAST, INC. ALL RIGHTS RESERVED.

DRAWING NO. BM-0002	REV NR	ECO ECO-0094 NEW 1/7/15	DATE JPR 1/7/15	SHEET 1 OF 1
------------------------	-----------	-------------------------------	--------------------	--------------