

NOTES:

1. BioMod® bioretention systems are designed & manufactured in accordance with ASTM C857 & C858.
2. BioMod® Tree Modules are cast to meet project specific requirements for depth, pipe connections and filter cell orientation. See sheet 2 of 2.
3. Tree Modules are cast with side & bottom openings allowing for root growth and infiltration.
4. Refer to planting schedule for tree type and size.

U.S. PATENTS PENDING.



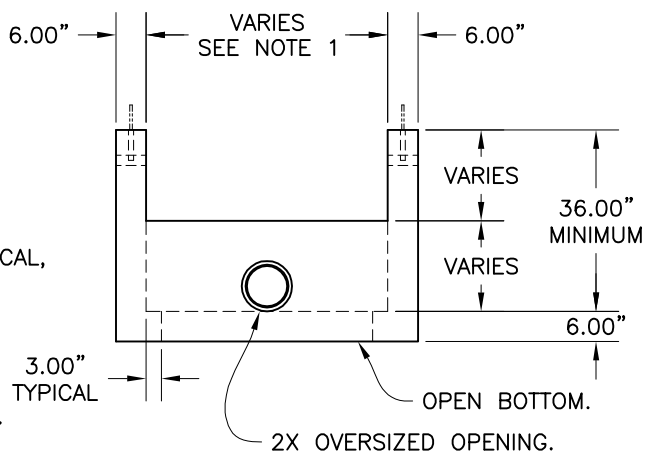
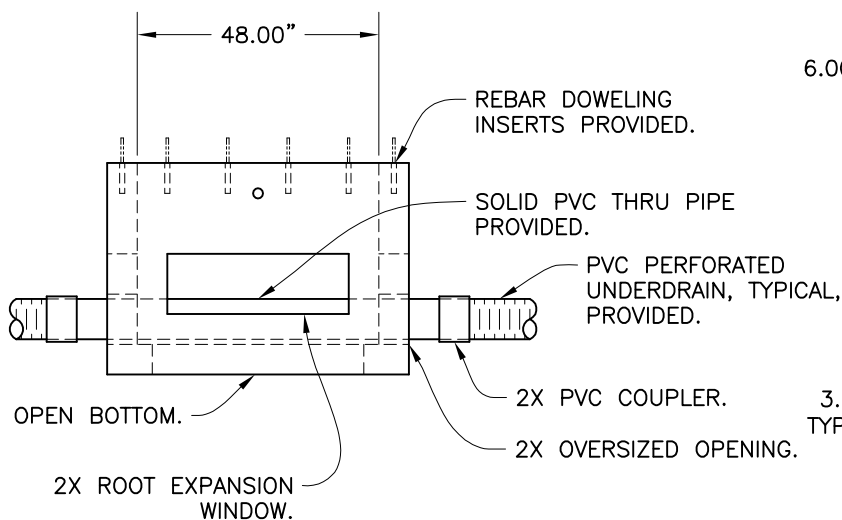
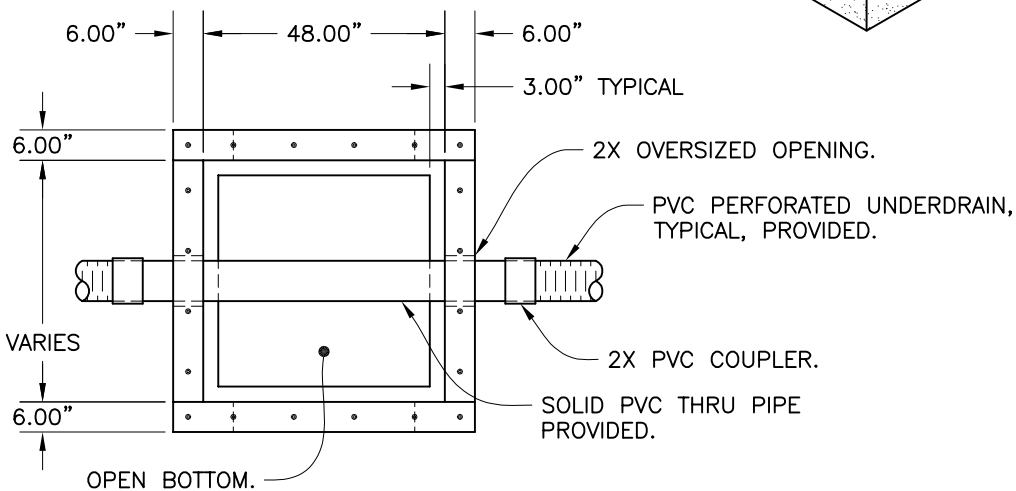
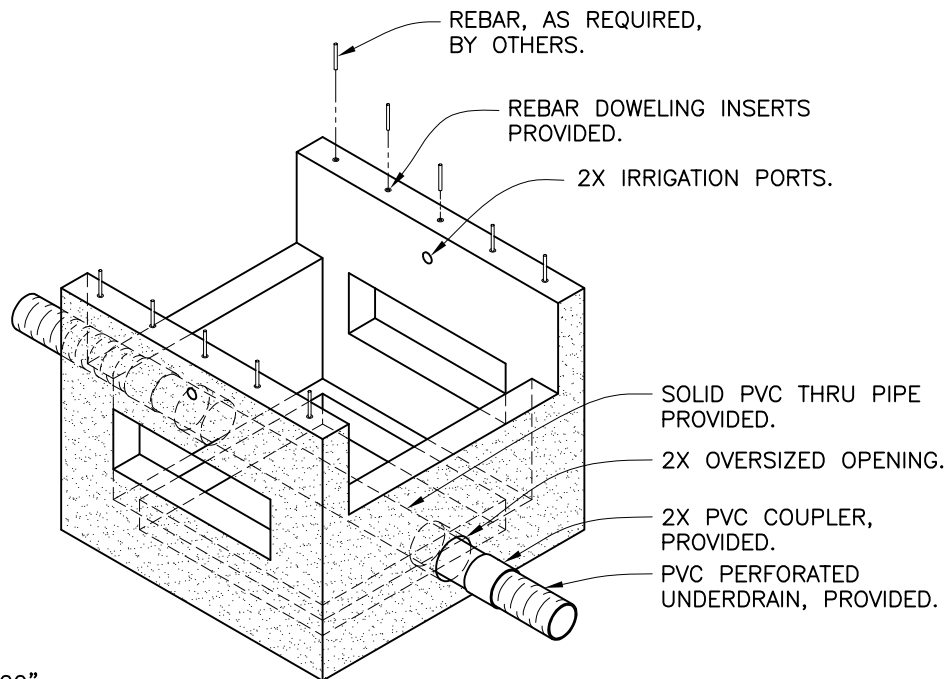
**BioMod®**  
*Modular Bioretention System*  
**Tree Module**



**Oldcastle®**  
**Stormwater Solutions**

7921 Southpark Plaza, Suite 200 | Littleton, CO | 80120 | Ph: 800.579.8819 | oldcastlestormwater.com  
THIS DOCUMENT IS THE PROPERTY OF OLDCASTLE PRECAST, INC. IT IS SUBMITTED FOR REFERENCE PURPOSES ONLY AND SHALL NOT BE USED IN ANY WAY INJURIOUS TO THE INTERESTS OF SAID COMPANY. COPYRIGHT © 2010 OLDCASTLE PRECAST, INC. ALL RIGHTS RESERVED.

DRAWING NO. BM-0005	REV NR	ECO NEW	ECO-0094 1/7/15	DATE JPR 1/7/15	SHEET 1 OF 2
------------------------	-----------	------------	--------------------	--------------------	--------------



U.S. PATENTS PENDING.



**BioMod®**  
 Modular Bioretention System  
 Tree Module



**Oldcastle®**  
 Stormwater Solutions

7921 Southpark Plaza, Suite 200 | Littleton, CO | 80120 | Ph: 800.579.8819 | oldcastlestormwater.com  
 THIS DOCUMENT IS THE PROPERTY OF OLDCASTLE PRECAST, INC. IT IS SUBMITTED FOR REFERENCE PURPOSES ONLY AND SHALL NOT BE USED IN ANY WAY INJURIOUS TO THE INTERESTS OF SAID COMPANY. COPYRIGHT © 2010 OLDCASTLE PRECAST, INC. ALL RIGHTS RESERVED.

DRAWING NO. BM-0005	REV NR	ECO ECO-0094 NEW 1/7/15	DATE JPR 1/7/15	SHEET 2 OF 2
------------------------	-----------	-------------------------------	--------------------	--------------