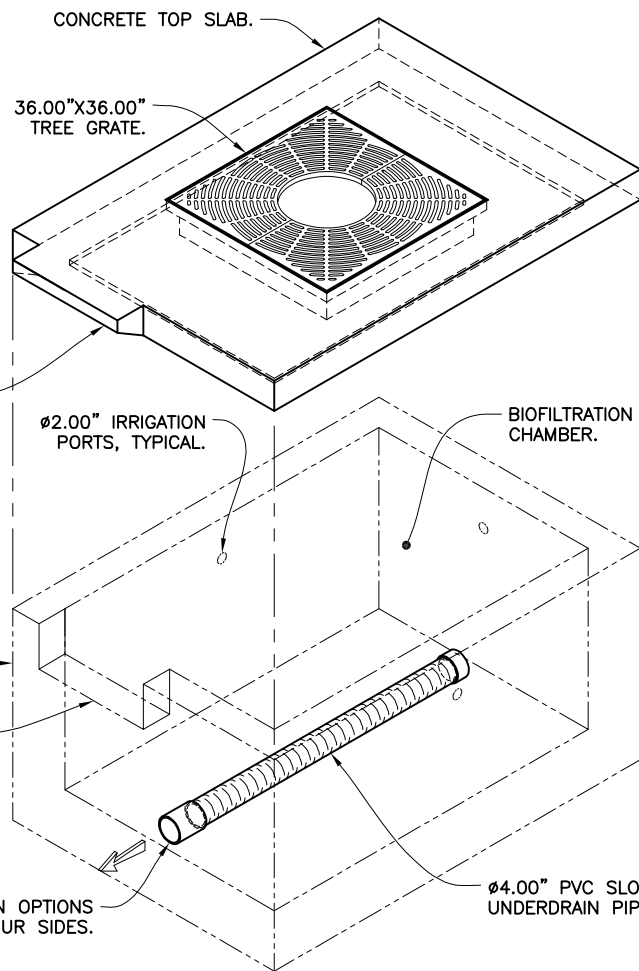


**TYPICAL INSTALLATION**

SCALE: 1/2



**ISOMETRIC VIEW**

FILTER MEDIA & DRAIN ROCK NOT SHOWN FOR CLARITY.

**NOTES:**

1. RIGHT CONFIGURATION SHOWN, MIRROR LEFT CONFIGURATION ARE AVAILABLE TO ACCOMMODATE OTHER OUTLET PIPE LOCATIONS.
2. SEPARATE BYPASS STRUCTURE IS REQUIRED IF PEAK FLOW RATE EXCEEDS TREATMENT CAPACITY OF THE BioPod™.
3. CONTACT OLDCASTLE® INFRASTRUCTURE FOR ENGINEERING ASSISTANCE AND DETAIL DRAWINGS.
4. CONCRETE COMPONENTS SHALL BE MANUFACTURED IN ACCORDANCE WITH ASTM C890 & C913.
5. VEGETATION BY OTHERS. CUSTOMER TO SPECIFY. INSTALLED AT TIME OF ACTIVATION. THE OWNER IS RESPONSIBLE FOR THE SURVIVAL OF THE VEGETATION AND MUST IRRIGATE AS NECESSARY.

US Patents Pending



**BioPod™ Biofilter**  
**Tree - SoCal Sizing**  
**End Inlet & External Bypass**

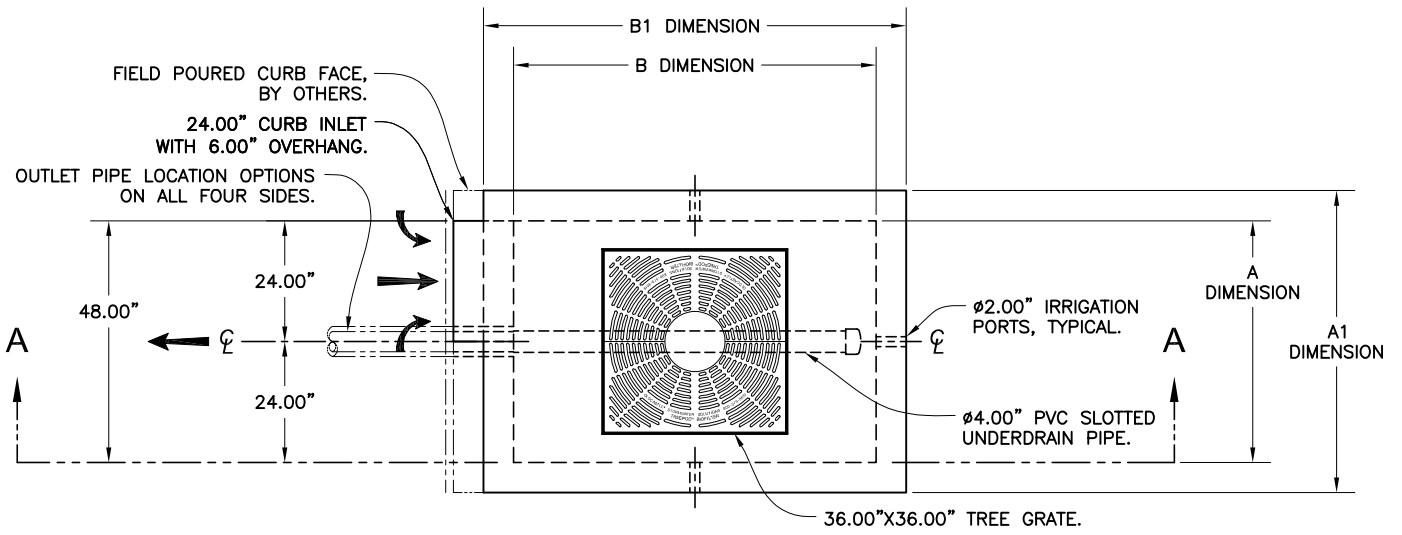


**Oldcastle®**  
**INFRASTRUCTURE**

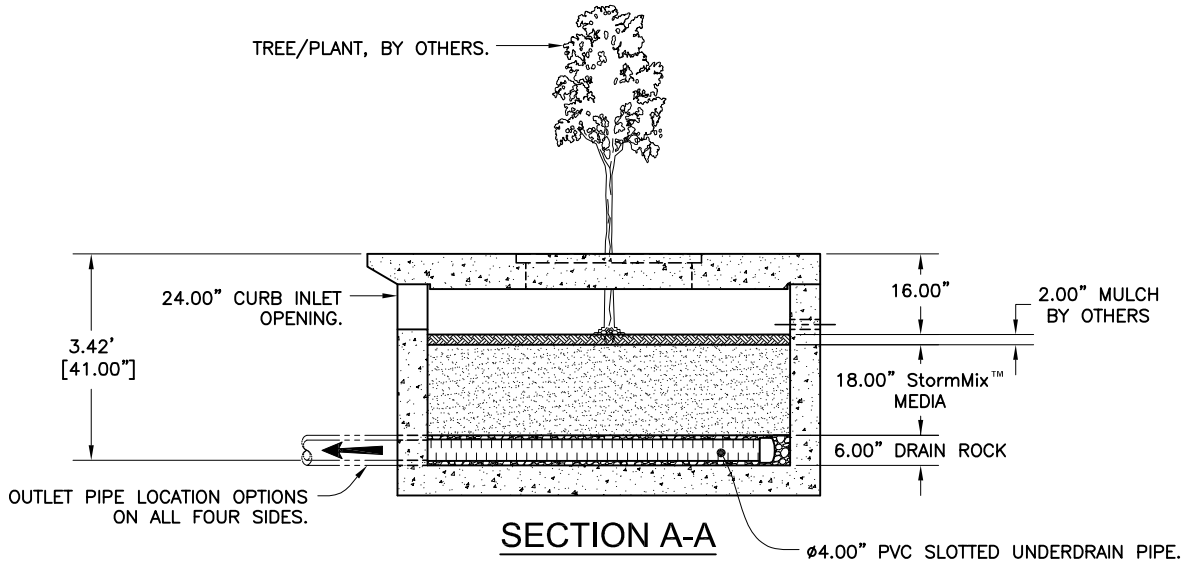
Ph: 800.579.8819 | oldcastlestormwater.com  
THIS DOCUMENT IS THE PROPERTY OF OLDCASTLE INFRASTRUCTURE, INC. IT IS SUBMITTED FOR REFERENCE PURPOSES ONLY AND SHALL NOT BE USED IN ANY WAY INJURIOUS TO THE INTERESTS OF SAID COMPANY. COPYRIGHT © 2018 OLDCASTLE INFRASTRUCTURE, INC. ALL RIGHTS RESERVED.

DRAWING NO. BPT-El-SoCal	REV NR	ECO ECO-0149	DATE NEW 10/4/18	DATE JPR 6/12/18	SHEET 1 OF 2
-----------------------------	-----------	-----------------	---------------------	---------------------	--------------

Bioretention/  
Biofiltration



**PLAN VIEW**



**SECTION A-A**

MODEL	VAULT SIZE <sup>1</sup> (ID)		VAULT FOOTPRINT <sup>1</sup> (OD)		TREATMENT FLOW CAPACITY <sup>2</sup> (GPM/CFS)	TREATMENT FLOW CAPACITY <sup>3</sup> (GPM/CFS)
	A DIM	B DIM	A1 DIM	B1 DIM		
BPT-44-EI	4'	4'	5'	5'	25.6 / 0.057	28.8 / 0.064
BPT-46.5-EI	4'	6.5'	5'	7.5'	38.4 / 0.086	43.2 / 0.096
BPT-48-EI	4'	8'	5'	9'	51.2 / 0.114	57.6 / 0.128
BPT-413-EI	4'	13'	5'	14'	83.2 / 0.185	93.6 / 0.209
BPT-66-EI	6'	6'	7'	7'	57.6 / 0.128	64.8 / 0.144
BPT-68-EI	6'	8'	7'	9'	76.8 / 0.171	86.4 / 0.193
BPT-612-EI	6'	12'	7'	13'	115.2 / 0.257	129.6 / 0.289
BPT-88-EI	8'	8'	9'	9'	102.4 / 0.228	115.2 / 0.257
BPT-812-EI	8'	12'	9'	13'	153.6 / 0.342	172.8 / 0.385
BPT-816-EI	8'	13'	9'	14'	166.4 / 0.371	187.2 / 0.417

<sup>1</sup> All Dimensions Are Nominal

<sup>2</sup> Based on an WA Ecology GULD Approval for Basic, Enhanced & Phosphorus. At 1.60 gpm/sf Media Surface Area.

<sup>3</sup> Based on an NJCAT Verification & NJ DEP Certification. At 1.80 gpm/sf Media Surface Area.

US Patents Pending



Bioretention/  
Biofiltration

**BioPod™ Biofilter**  
**Tree - SoCal Sizing**  
**End Inlet & External Bypass**



**Oldcastle®**  
**INFRASTRUCTURE**

Ph: 800.579.8819 | oldcastlestormwater.com

THIS DOCUMENT IS THE PROPERTY OF OLDCASTLE INFRASTRUCTURE, INC. IT IS SUBMITTED FOR REFERENCE PURPOSES ONLY AND SHALL NOT BE USED IN ANY WAY INJURIOUS TO THE INTERESTS OF SAID COMPANY. COPYRIGHT © 2018 OLDCASTLE INFRASTRUCTURE, INC. ALL RIGHTS RESERVED.

DRAWING NO. BPT-EI-SoCal	REV NR	ECO ECO-0149 NEW 10/4/18	DATE JPR 6/12/18	SHEET 2 OF 2
-----------------------------	-----------	--------------------------------	---------------------	--------------