

**ISOMETRIC VIEW**  
 FILTER MEDIA & DRAIN ROCK NOT SHOWN FOR CLARITY.  
 SCALE: 1X

NOTES:

1. SEPARATE BYPASS STRUCTURE IS REQUIRED IF PEAK FLOW RATE EXCEEDS TREATMENT CAPACITY.
2. CONTACT OLDCASTLE STORMWATER FOR ENGINEERING ASSISTANCE AND DETAIL DRAWINGS.
3. CONCRETE COMPONENTS SHALL BE MANUFACTURED IN ACCORDANCE WITH ASTM C890 & C913.

US Patents Pending



Bioretention/  
Biofiltration

**BioPod™ Biofilter**  
**Underground**  
*Vault with External Bypass*

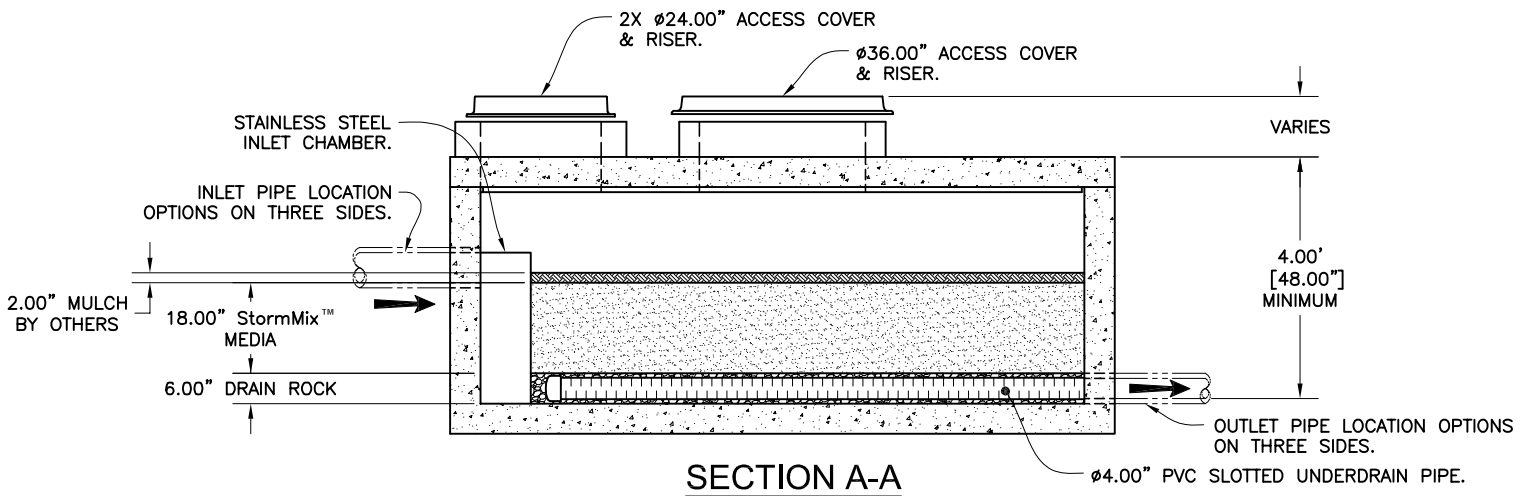
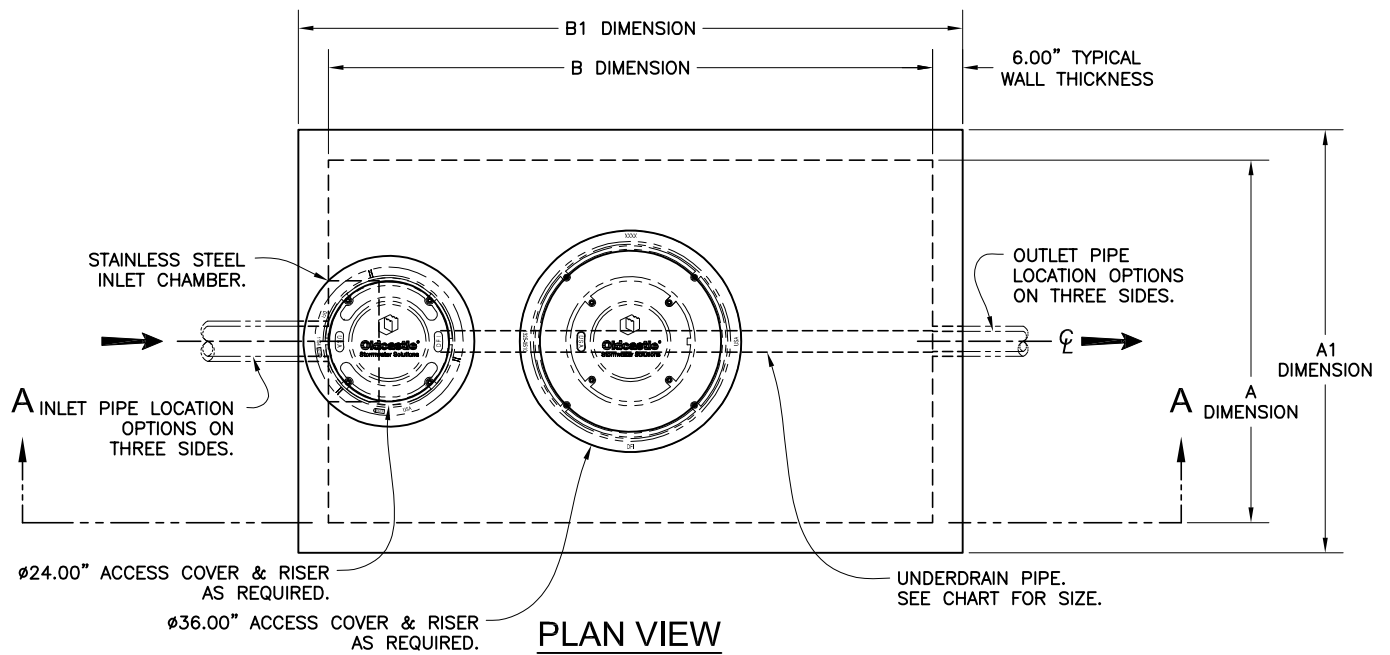


**Oldcastle®**  
**INFRASTRUCTURE**

Ph: 800.579.8819 | oldcastlestormwater.com

THIS DOCUMENT IS THE PROPERTY OF OLDCASTLE INFRASTRUCTURE, INC. IT IS SUBMITTED FOR REFERENCE PURPOSES ONLY AND SHALL NOT BE USED IN ANY WAY INJURIOUS TO THE INTERESTS OF SAID COMPANY. COPYRIGHT © 2018 OLDCASTLE INFRASTRUCTURE, INC. ALL RIGHTS RESERVED.

|                    |          |                 |                     |                     |              |
|--------------------|----------|-----------------|---------------------|---------------------|--------------|
| DRAWING NO.<br>BPU | REV<br>A | ECO<br>ECO-0155 | DATE<br>JPR 10/4/18 | DATE<br>JPR 6/12/18 | SHEET 1 OF 2 |
|--------------------|----------|-----------------|---------------------|---------------------|--------------|



| MODEL   | VAULT SIZE <sup>1</sup><br>(ID) |       | VAULT FOOTPRINT <sup>1</sup><br>(OD) |        | TREATMENT FLOW CAPACITY <sup>2</sup><br>(GPM/CFS) | TREATMENT FLOW CAPACITY <sup>3</sup><br>(GPM/CFS) |
|---------|---------------------------------|-------|--------------------------------------|--------|---|---|
|         | A DIM                           | B DIM | A1 DIM                               | B1 DIM |   |   |
| BPU-44  | 4'                              | 4'    | 5'                                   | 5'     | 25.6 / 0.057                                      | 28.8 / 0.064                                      |
| BPU-46  | 4'                              | 6'    | 5'                                   | 7'     | 38.4 / 0.086                                      | 43.2 / 0.096                                      |
| BPU-48  | 4'                              | 8'    | 5'                                   | 9'     | 51.2 / 0.114                                      | 57.6 / 0.128                                      |
| BPU-412 | 4'                              | 12'   | 5'                                   | 13'    | 76.8 / 0.171                                      | 86.4 / 0.193                                      |
| BPU-66  | 6'                              | 6'    | 7'                                   | 7'     | 57.6 / 0.128                                      | 64.8 / 0.144                                      |
| BPU-68  | 6'                              | 8'    | 7'                                   | 9'     | 76.8 / 0.171                                      | 86.4 / 0.193                                      |
| BPU-612 | 6'                              | 12'   | 7'                                   | 13'    | 115.2 / 0.257                                     | 129.6 / 0.289                                     |
| BPU-816 | 8'                              | 16'   | 9'                                   | 17'    | 204.8 / 0.456                                     | 230.4 / 0.513                                     |

<sup>1</sup> All Dimensions Are Nominal

<sup>2</sup> Based on an WA Ecology GULD Approval for Basic, Enhanced & Phosphorus. At 1.60 gpm/sf Media Surface Area.

<sup>3</sup> Based on an NJCAT Verification & NJ DEP Certification. At 1.80 gpm/sf Media Surface Area.

US Patents Pending



Bioretention/  
Biofiltration

**BioPod™ Biofilter**  
**Underground**  
*Vault with External Bypass*



**Oldcastle®**  
**INFRASTRUCTURE**

Ph: 800.579.8819 | oldcastlestormwater.com

THIS DOCUMENT IS THE PROPERTY OF OLDCASTLE INFRASTRUCTURE, INC. IT IS SUBMITTED FOR REFERENCE PURPOSES ONLY AND SHALL NOT BE USED IN ANY WAY INJURIOUS TO THE INTERESTS OF SAID COMPANY. COPYRIGHT © 2018 OLDCASTLE INFRASTRUCTURE, INC. ALL RIGHTS RESERVED.

|                    |          |                                |                     |              |
|--------------------|----------|--------------------------------|---------------------|--------------|
| DRAWING NO.<br>BPU | REV<br>A | ECO<br>ECO-0155<br>JPR 10/4/18 | DATE<br>JPR 6/12/18 | SHEET 1 OF 2 |
|--------------------|----------|--------------------------------|---------------------|--------------|