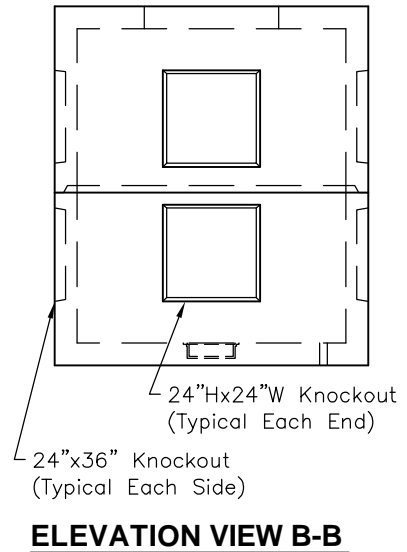
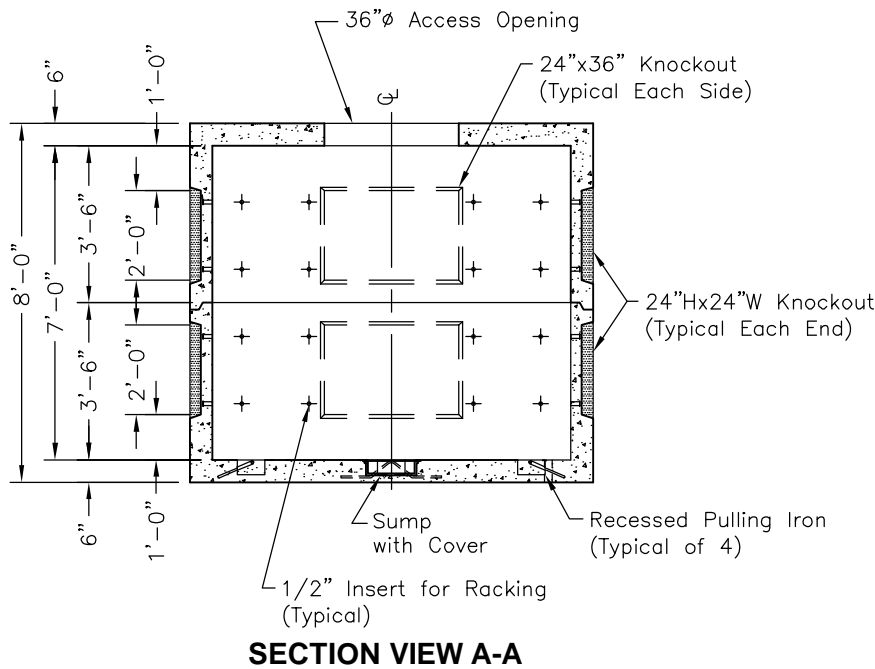


**NOTES:**

1. Concrete: 28 Day Compressive Strength  $f'_c = 4,500$  psi.
2. Reinforcing: ASTM A-615, Grade 60.
3. Joint Sealant: Butyl Rubber SS-S-00210.
4. Designed for Maximum Soil Cover of 5'-0" Above Box.
5. Supports an H2O Loading as Indicated by AASHTO.
6. Optional MH Ring and Cover Available as Specified by Customer, Term-A-Ducts Instead of Knockouts if Required.



SCALE: 1/4" = 1'-0"



**687-TE**

FILE NAME: 462UTT687TEDET.DWG

ISSUE DATE: June, 2001

[www.oldcastleprecast.com](http://www.oldcastleprecast.com)

**6'-0" x 8'-0" x 7'-0" I.D.  
Communication Vault**

4905 Stough Road, Concord, North Carolina 28025  
Phone: 704-788-4050 Fax: 704-788-4060

Copyright © 2001 Oldcastle Precast, Inc.