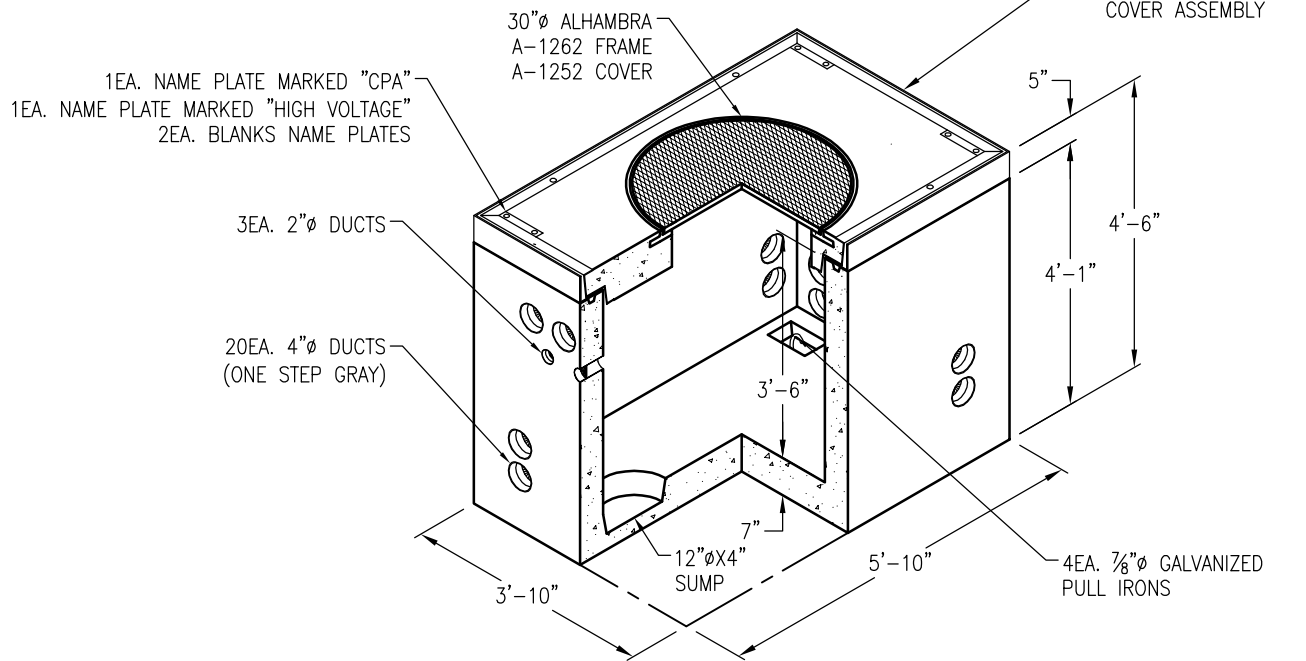
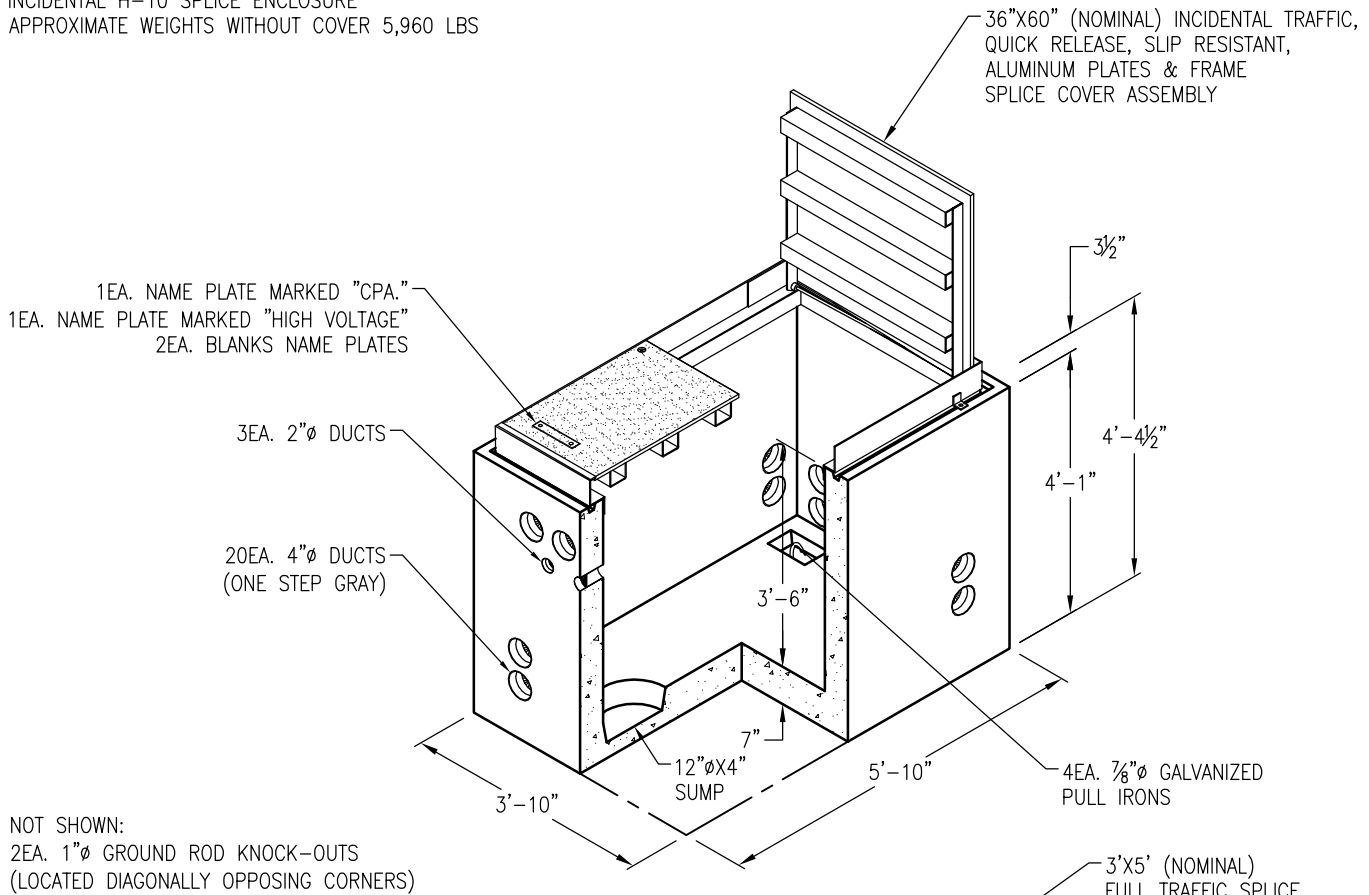


3'-0" X 5'-0" X 3'-6"
 INCIDENTAL H-10 SPLICE ENCLOSURE
 APPROXIMATE WEIGHTS WITHOUT COVER 5,960 LBS

CPA-2



3'-0" X 5'-0" X 3'-6"
 HEAVY FULL TRAFFIC H-20 SPLICE ENCLOSURE
 APPROXIMATE WEIGHTS WITHOUT COVER 5,960 LBS

DRAWING MAY NOT CONFORM TO THE MOST CURRENT SPECIFICATION

Oldcastle Precast[®]

Northern California
 Madera ■ Morgan Hill ■ Pleasanton ■ Santa Rosa ■ Stockton ■ Tulare
 Phone: 925-750-6650 Fax: 925-750-6660

CPA-3536
FILE NAME: CPA-2.DWG
REVISED: MARCH 2016
www.oldcastleprecast.com

3'-0" X 5'-0" X 3'-6" (I.D.)
 SPLICE ENCLOSURE
 CITY OF PALO ALTO

Copyright © 2016 Oldcastle Precast, Inc.