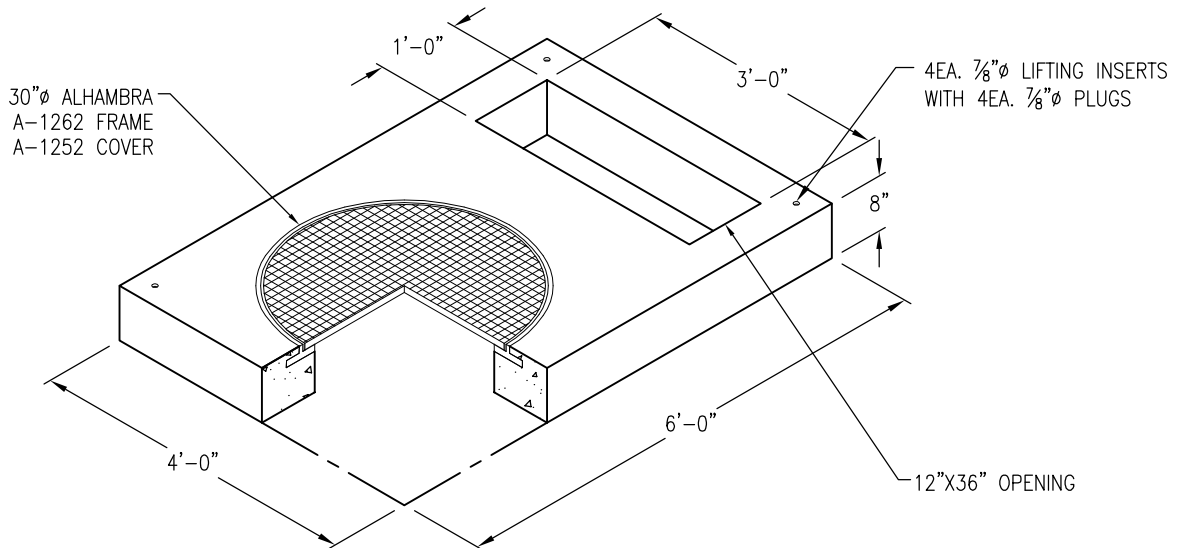
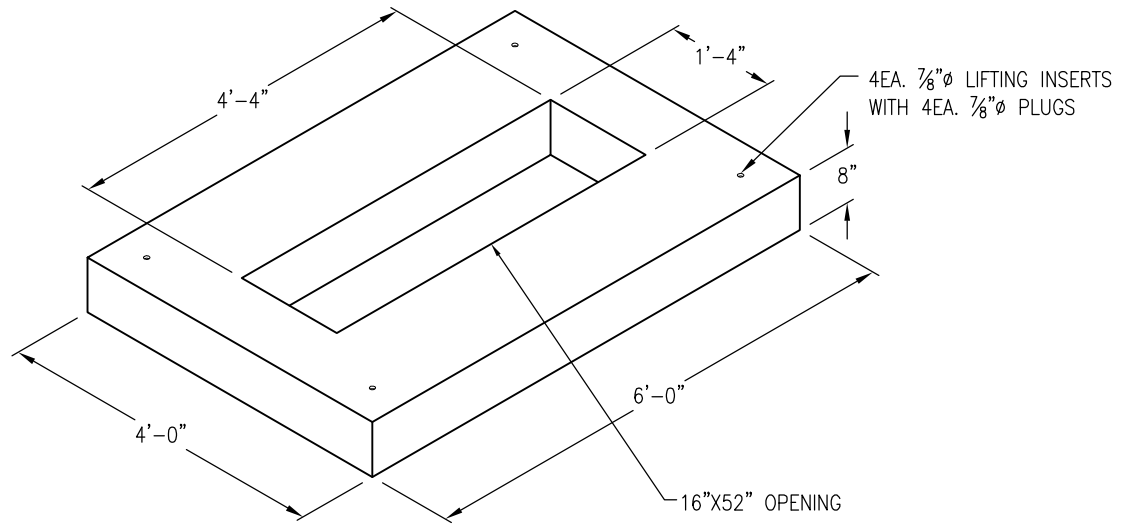


LOAD BREAK PAD TYPE 1  
 FOR CPA-644-LA VAULT  
 PAD WEIGHT: 1,850 LBS

CPA-4



LOAD BREAK PAD TYPE 2  
 FOR CPA-644-LA VAULT  
 PAD WEIGHT WITHOUT COVER: 1,650 LBS

DRAWING MAY NOT CONFORM TO THE  
 MOST CURRENT SPECIFICATION

 **Oldcastle Precast**<sup>®</sup>  
 Northern California  
 Madera ■ Morgan Hill ■ Pleasanton ■ Santa Rosa ■ Stockton ■ Tulare  
 Phone: 925-750-6650 Fax: 925-750-6660

**CPA-LOAD BREAK PAD**

FILE NAME: CPA-4.DWG

REVISED: MARCH 2016

[www.oldcastleprecast.com](http://www.oldcastleprecast.com)

**4'-0" X 6'-0" X 0'-8" (O.D.)  
 LOAD BREAK PADS  
 CITY OF PALO ALTO**

Copyright © 2016 **Oldcastle** Precast, Inc.