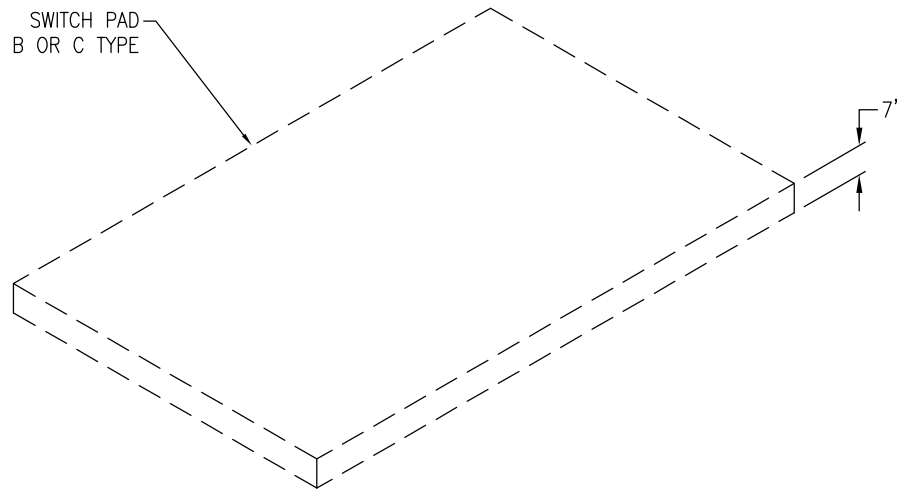
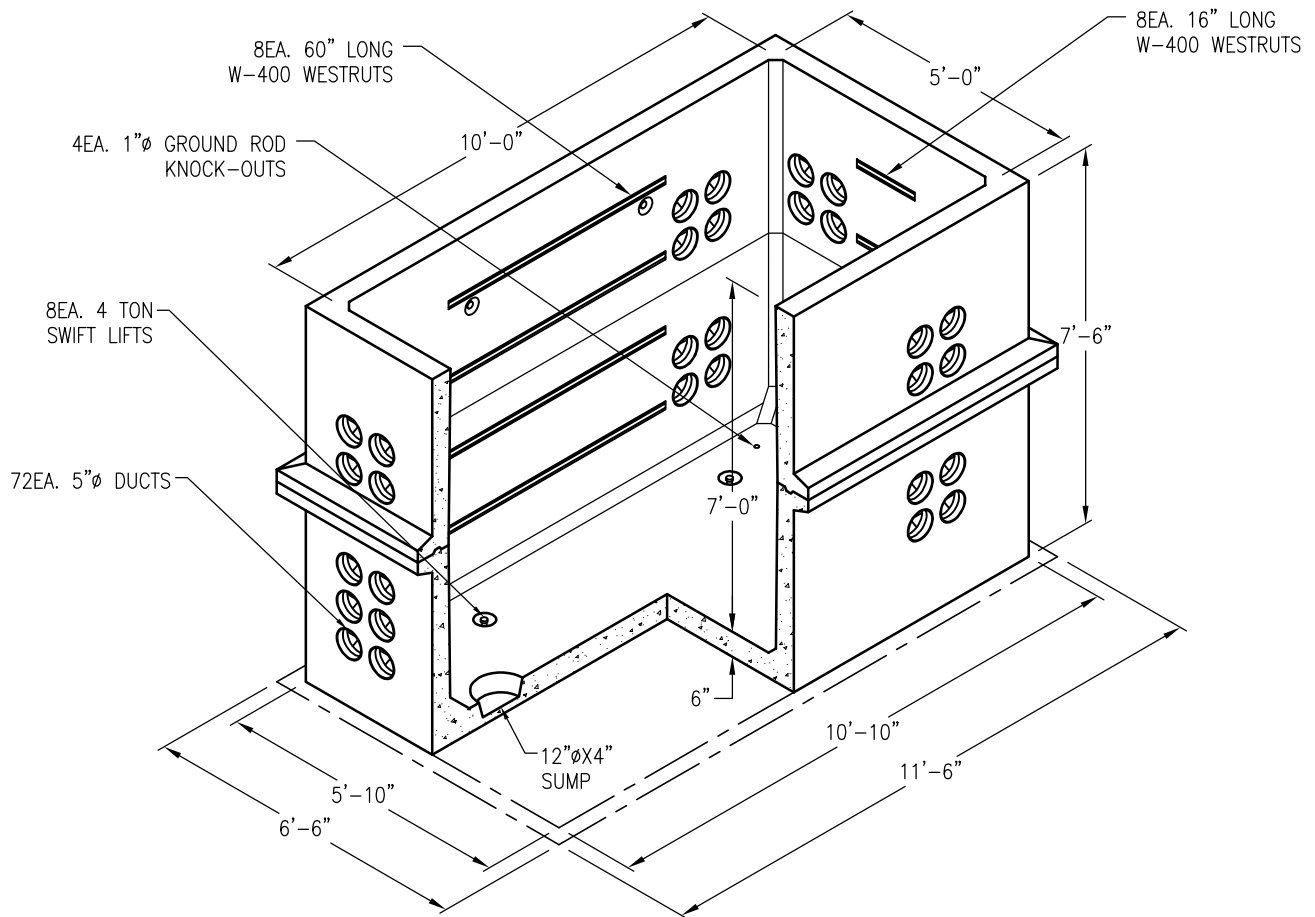


SWITCH PAD
A, B OR C TYPE



NOT SHOWN:
7/8" Ø GALVANIZED PULL IRONS
IN THE FLOOR



TOP SECTION WEIGHT: 9,780 LBS
BASE SECTION WEIGHT: 11,400 LBS

DRAWING MAY NOT CONFORM TO THE
MOST CURRENT SPECIFICATION



Oldcastle Precast[®]
Northern California
Madera ■ Morgan Hill ■ Pleasanton ■ Santa Rosa ■ Stockton ■ Tulare
Phone: 925-750-6650 Fax: 925-750-6660

CPA-510M
FILE NAME: CPA-9.DWG
REVISED: MARCH 2016
www.oldcastleprecast.com

5'-0" X 10'-0" X 7'-0" (I.D.)
CPA-38Y-510 MODIFIED
CITY OF PALO ALTO